

Most Common Risks

Suggested Safety Fire Measures



Precautionary measures



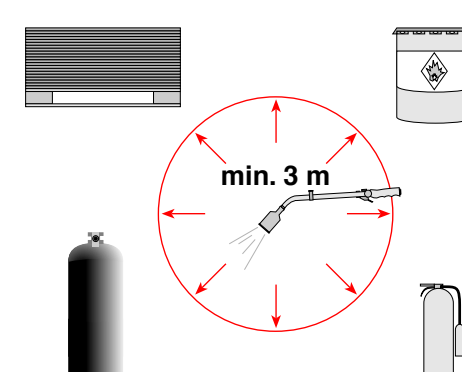
Smoking is prohibited in storage areas, when handling full or empty containers, and when using products.



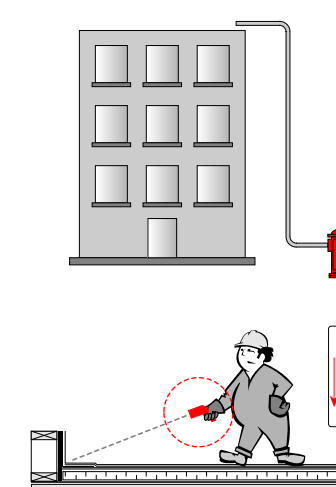
Do not pierce packaging. Open containers by slowly unscrewing stopper so that excess pressure does not cause accidental spraying.

Prepare substrates and select application method so as to avoid pooling of product.

Containers must be kept away from welding areas whether full or empty.

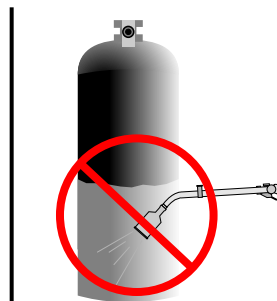


Never use torches on surfaces freshly coated with glue, primer or other solvent-based products. Allow adequate drying time. Never use torches near combustible materials, near full or partially full containers of inflammable products (never bring flame closer than 3 meters), or directly on combustible bridging or insulating materials. For detail work, it is preferable to use torches equipped with a trigger on / trigger off handle.



Keep a class ABC extinguisher in good working order close by during all application procedures. Where possible and permitted, have a direct connection to a fire hydrant.

Following completion of work, measure temperatures with an infrared thermometer where membranes have been installed.



Never attempt to defrost L.P. gas tank with a flame. In cold season, use specially designed heated blankets, CSA approved.