



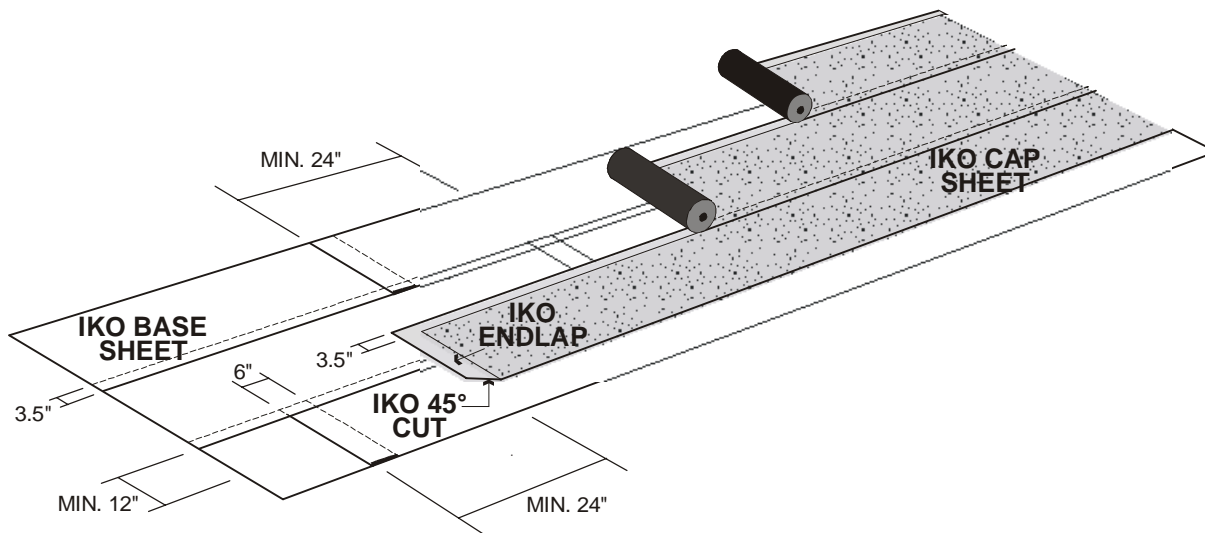
COMMERCIAL/INDUSTRIAL INFORMATION BULLETIN

FEBRUARY 1999
REV. – NOVEMBER 2005

No. C-28

PROPER STAGGERING OF BASE SHEET AND CAP SHEET SIDE LAPS AND END LAPS.

When installing IKO modified bitumen base sheets and modified bitumen cap sheets, it is important that end laps in adjacent rows be offset a minimum of 24" from each other. The end laps in cap sheets should be offset a minimum of 24" from end laps in other cap sheet rows as well as the end laps in base sheet rows. Also, remember to offset the side laps of the cap sheet at least 12" from the side laps in the base sheet membrane. By offsetting end laps and side laps, overall roofing membrane strength and waterproof integrity will be improved.



For additional information on any of IKO's products or application requirements, visit us on the web at www.iko.com (North America), or contact us in Canada/United States at 1-800-361-5836 (press "1" for English and then "2" for our Technical Support Department).

