



Hip & Ridge 12

RIDGE CAP SHINGLES



*Need a roof done right and fast?
Just ask for Hip & Ridge 12 Cap Shingles.*

Hip & Ridge 12

RIDGE CAP SHINGLES

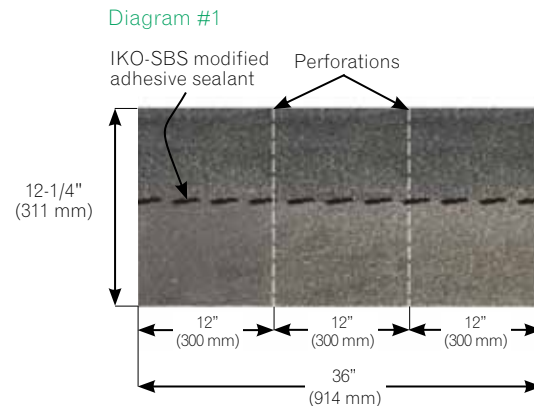
Now you don't have to waste time cutting up shingles to protect those vulnerable hip and ridge areas. IKO has a better-looking, much easier alternative! Introducing IKO Hip & Ridge 12 Cap Shingles.

- Lightweight and perforated to give you 3 pieces each 12" (300 mm) wide. By spending less time cutting, you'll save on labor costs. Now you can improve the roofline and your bottom line!
- Easy to separate, even at the site of application!
- IKO-SBS modified adhesive sealant for maximum wind protection.
- Featuring an algae resistant granule.
- May be applied in a traditional "single" dimensional thickness and appearance. To add dimensional depth, simply apply in two layers, the top layer set back about 3/4" (19 mm).
- Available in colors that match our most popular Cambridge, Royal Estate, Armourshake and Crowne Slate Architectural shingles!

Prior to application in cold weather, storing the shingles in a heated area will allow for easier bending.

Installation Instructions

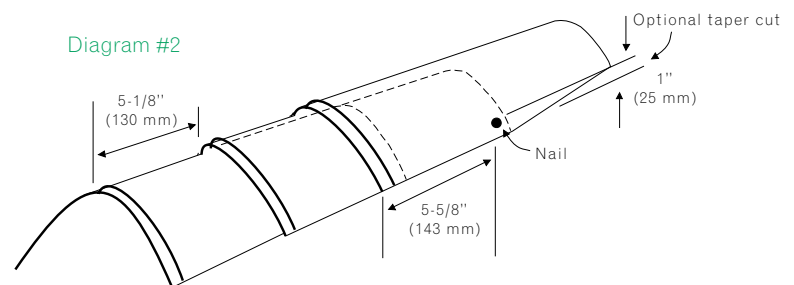
- Separate Hip & Ridge 12 shingles into thirds, using the perforation marks as a guide (see Diagram 1).
- These shingles are designed for a 5-1/8" (130 mm) exposure. (For a neater appearance, the top of each side of each piece can be trimmed on a 1" (25 mm) taper (see Diagram 2)).
- Bend each piece over the hip or ridge, and nail 5-5/8" (143 mm) above the butt edge, 1" (25 mm) in from each edge, exposing each piece 5-1/8" (130 mm).
- Apply hip pieces starting at the lower end of the hip, working up toward the ridge. On hip roofs, apply ridge pieces starting at each end, meeting in the middle.
- On gable roofs, apply ridge pieces starting at the end opposite to the prevailing wind direction and continue to the other end.



Note: To obtain a three-dimensional effect, (which is recommended, but not required), apply hip and ridge shingles double thickness by stacking 2 pieces on top of one another, the lower piece extending about 3/4" (19 mm) further than the top piece (see Diagram 2).

- The final shingle should be set in cement, and the exposed nail heads of the final shingle should be covered with cement.

SPECIFICATIONS	
Length	36" (914 mm)
Width	12-1/4" (311 mm)
Quantity per bundle	26 x 3 = 78
Coverage per bundle	33.3 lin. ft. (10.1 lin. m)



Miami-Dade approved. NOA # 11-0318.02 for product made in Brampton. Expiry date 05/19/16.

Note: All values shown are approximate.

Available in colors that match our most popular Cambridge, Royal Estate, Armourshake, and Crowne Slate Architectural shingles!

Color Availability: Cambridge



Dual Black



Charcoal Grey



Harvard Slate



Dual Grey



Dual Brown



Weatherwood



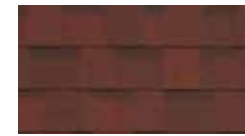
Driftwood



Aged Redwood



Earthtone Cedar



Riviera Red



Vintage Green



National Blue¹

¹ Blue granules may fade after extensive exposure to the sun's ultraviolet rays.

Color Availability: Royal Estate



Shadow Slate



Harvest Slate



Mountain Slate



Taupe Slate

Color Availability: Armourshake



Shadow Black*/Dual Black



Greystone*/Charcoal Grey



Weathered Stone*/Weatherwood



Chalet Wood



Western Redwood*/Aged Redwood

Color Availability: Crowne Slate



Royal Granite



Regal Stone



Greystone Jade

*Please note that these Hip & Ridge 12 Cap Shingle colors are complementary blend matches and are not precise.

Save time and make your next roofing project easy on yourself.

Just ask for IKO's Hip & Ridge 12 Cap Shingles!



Find out more about our products now by talking to an IKO Sales Representative, your professional roofing contractor or contact us directly at: United States 1-888-IKO-ROOF (1-888-456-7663), Canada 1-855-IKO-ROOF (1-855-456-7663) or visit our web site at: www.iko.com

Note: The information in this literature is subject to change without notice. IKO assumes no responsibility for errors that may appear in this literature.

© Copyright 03/12 - MR1L018





Hip & Ridge 12

Ridge Cap Shingles



Need a roof done right and fast?

Just ask for **Hip & Ridge 12** Cap Shingles.

Now you don't have to waste time cutting up shingles to protect those vulnerable hip and ridge areas. IKO has a better-looking, much easier alternative! Introducing **IKO Hip & Ridge 12** Cap Shingles.

- Lightweight and perforated to give you 3 pieces, each 300 mm (12") wide. By spending less time cutting, you'll save on labour costs. Now you can improve the roofline and your bottom line!
- Easy to separate, even at the site of application!
- IKO-SBS modified adhesive sealant for maximum wind protection.
- Featuring an algae resistant granule.
- May be applied in a traditional "single" dimensional thickness and appearance. To add dimensional depth, simply apply in two layers, the top layer set back about 19 mm (3/4").
- Available in colours that match our most popular Cambridge, Royal Estate and Armourshake Architectural shingles!

>> Colour Availability : CAMBRIDGE



Dual Black



Charcoal Grey



Harvard Slate



Dual Grey



Dual Brown



Weatherwood



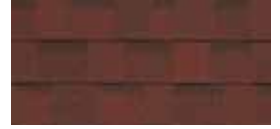
Driftwood



Aged Redwood



Earthtone Cedar



Riviera Red



Vintage Green



National Blue¹

¹ Blue granules may fade after extensive exposure to the sun's ultraviolet rays.

>> Colour Availability : ROYAL ESTATE



Shadow Slate



Harvest Slate



Mountain Slate



Taupe Slate

>> Colour Availability : ARMOURSHAKE



Shadow Black*/Dual Black



Greystone*/Charcoal Grey



Weathered Stone*/Weatherwood



Chalet Wood



Western Redwood*/Aged Redwood

*Please note that these Hip & Ridge 12 Cap Shingle colours are complementary blend matches and are not precise.



Hip & Ridge 12

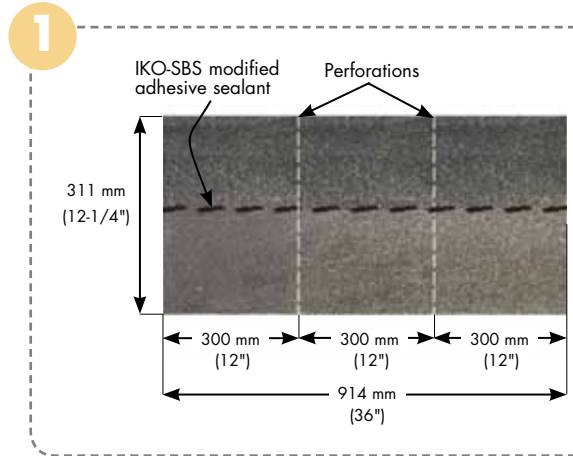
Ridge Cap Shingles

Installation Instructions

- Separate Hip & Ridge 12 shingles into thirds, using the perforation marks as a guide (see diagram 1).
- These shingles are designed for a 130 mm (5-1/8") exposure. (For a neater appearance, the top of each side of each piece can be trimmed on a 25mm (1") taper (see diagram 2).
- Bend each piece over the hip or ridge, and nail 143 mm (5-5/8") above the butt edge, 25mm (1") in from each edge, exposing each piece 130 mm (5-1/8").
- Apply hip pieces starting at the lower end of the hip, working up toward the ridge. On hip roofs, apply ridge pieces starting at each end, meeting in the middle. On gable roofs, apply ridge pieces starting at the end opposite to the prevailing wind direction and continue to the other end.

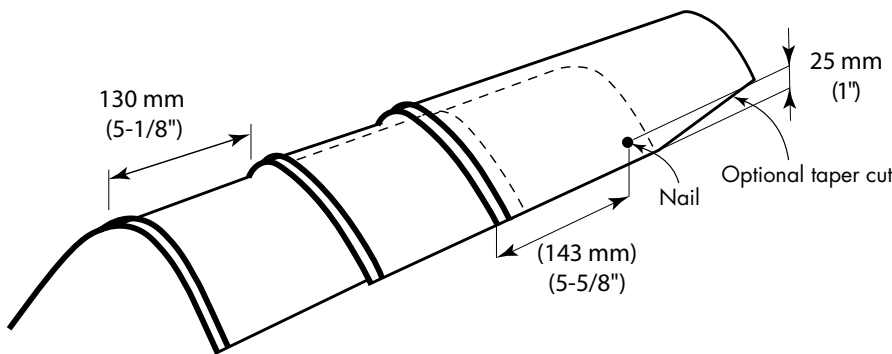
Note: To obtain a three-dimensional effect, (which is recommended, but not required), apply hip and ridge shingles double thickness by stacking 2 pieces on top of one another, the lower piece extending about 19 mm (3/4") further than the top piece (see diagram 2).

- The final shingle should be set in cement, and the exposed nail heads of the final shingle should be covered with cement.



SPECIFICATIONS:

Length	914 mm (36")
Width	311 mm (12-1/4")
Quantity per bundle	26 X 3 = 78
Coverage per bundle	10.1 lin. m (33.3 lin. ft.)



Prior to application in cold weather, storing the shingles in a heated area will allow for easier bending.



Save time and make your next roofing project easy on yourself.

Just ask for IKO's **Hip & Ridge 12** Cap Shingles!

For more information, or to see a sample of our IKO **Hip & Ridge 12** Cap Shingles, contact your IKO Sales Representative today. For additional information on IKO's full line of superior roofing products please call: **United States 1-888-IKO-ROOF (1-888-456-7663), Canada 1-855-IKO-ROOF (1-855-456-7663)**, or visit our web site at: **www.iko.com**

Note: The information in this literature is subject to change without notice. IKO assumes no responsibility for errors that may appear in this literature. © Copyright 12/11 - MR3L018



Besoin d'un toit bien fait, vite fait?

Demandez les bardeaux de finition **Hip & Ridge 12** pour arêtes et faitages.

Vous n'aurez plus à découper des bardeaux pour protéger les zones vulnérables des arêtes et des faites. IKO a trouvé un moyen plus facile et de meilleure apparence! IKO vous présente **Hip & Ridge 12** ses bardeaux de finition pour arêtes et faitages.

- Léger et perforé pour séparer en 3 pièces de 300 mm de largeur chacune (12 po). Moins de temps à tailler égale économie de main-d'œuvre. Améliorer la ligne du toit sans défoncer votre budget;
- Facile à séparer sur le chantier, aucun pré-découpage requis;
- L'adhésif modifié SBS de IKO pour une protection maximale contre les vents;
- Granulat résistant aux algues;
- Peut être posé comme un bardeau traditionnel par son épaisseur et apparence. Pour obtenir l'effet dimensionnel, posez simplement deux épaisseurs dont la couche supérieure est décalée de 19 mm (3/4 po);
- Offert en couleurs qui se marient aux populaires bardeaux de fibre de verre Cambridge, Royal Estate et Armourshake.

>> Couleurs offertes : CAMBRIDGE



Noir double



Gris charbon



Ardoise << Harvard >>



Gris double



Brun double



Bois de grange



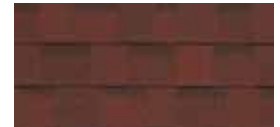
Bois flottant



Séquoia vieilli



Cèdre << Earthtone >>



Rouge riviera



Vert antique



Bleu national¹

¹Le granulat bleu pourrait perdre sa couleur après une longue exposition aux rayons ultraviolets.

>> Couleurs offertes : ROYAL ESTATE



Ardoise ombragée



Ardoise récolte



Ardoise de montagne



Ardoise taupe

>> Couleurs offertes : ARMOURSHAKE



Noir ombragé/Noir double



Pierre grise*/Gris charbon



Pierre tempérée*/Bois de grange



Chalet de bois



Séquoia de l'Ouest*/Séquoia vieilli



Hip&Ridge 12

Bardeaux faîtiers de finition

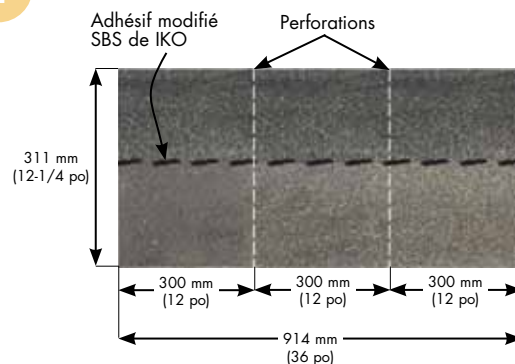
Directives de pose

- Séparez le bardeau Hip & Ridge 12 en trois parties en suivant la ligne guide perforée (voir croquis 1);
- Ce bardeau est conçu pour montrer un pureau de 130 mm (5-1/8 po). (Pour une apparence propre et nette, un pouce de coin de chaque côté peut être taillé en biais (voir croquis 2);
- Pliez chaque pièce par-dessus le faîte ou l'arête, clouez 143 mm (5-5/8 po) au-dessus de la bordure de la patte, à 25mm (1 po) de chaque bordure, pour exposer 130 mm (5-1/8 po) de chaque pièce;
- Commencez la pose à la partie la plus basse de l'arête en remontant vers le faîte. Sur les toits à quatre versants, posez les pièces faîtières en commençant à chaque extrémité pour terminer au centre. Pour les toits à deux versants, posez les pièces faîtières en commençant par les coins opposés aux vents dominants et continuez vers la direction opposée.

Attention : Pour obtenir un effet tridimensionnel (recommandé, mais non exigé), posez une double épaisseur de bardeaux pour arêtes et faîtes, la pièce inférieure dépassant d'environ 19 mm (3/4 po) de la pièce supérieure (voir croquis 2).

- Le dernier bardeau devrait être fixé au ciment et la tête exposée des clous devrait aussi être couverte de ciment.

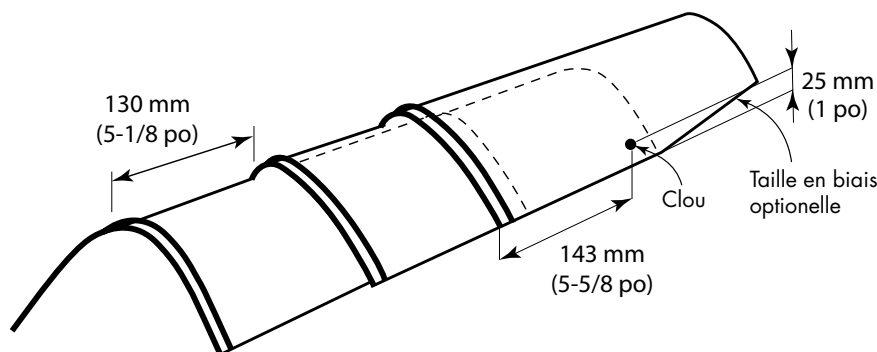
1



SPECIFICATIONS:

Longueur	914 mm (36 po)
Largeur	311 mm (12-1/4 po)
Quantité par paquet	26 X 3 = 78
Couverture par paquet	10.1 m lin. (33.3 pi. lin.)

2



Par temps froid, avant de poser les bardeaux entreposez-les dans un endroit chauffé afin de les assouplir.



Au prochain chantier, économisez du temps et facilitez-vous la tâche.

Demandez les bardeaux de finition **Hip & Ridge 12** pour arêtes et faitages!

Pour plus d'information ou pour voir des échantillons des nouveaux bardeaux de finition **Hip & Ridge 12** de IKO contactez le représentant IKO de votre région sans tarder. Si vous désirez en savoir plus sur la gamme complète des produits pour toitures de qualité supérieure de IKO, faites le numéro : **Le Canada 1-855-456-7663 les États-Unis 1-888-456-7663**, ou encore visitez notre site Web : **www.iko.com**