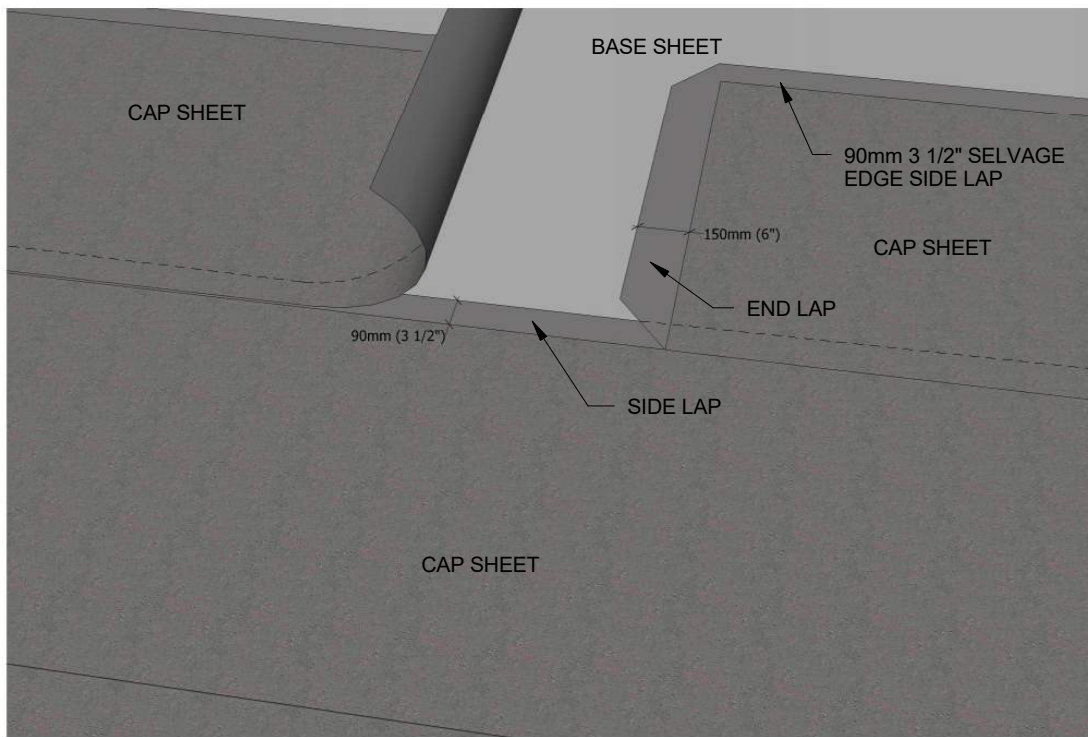


Table of Contents

Title	Number
Modified Bitumen Flashing Detail – Angled Cut End Lap	MB-1
Modified Bitumen Flashing Detail – Staggered End End Lap	MB-2
Modified Bitumen Flashing Detail – Roof Edge with Base Flashing and Cap Sheet Flashing	MB-3
Vent Pipe Flashing	MB-4
Support Column Flashing	MB-5
Modified Bitumen Flashing Detail – Parapet/Curb Flashing on All Substrates	MB-6
Modified Bitumen Flashing Detail – Shingle Roof Tie-In	MB-7
Modified Bitumen Flashing Detail – Reglet Mounted Counter Flashing	MB-8
Modified Bitumen Flashing Detail – Surface Mounted Counter Flashing	MB-9
Modified Bitumen Flashing Detail – Masonry Coping	MB-10
Modified Bitumen Flashing Detail – Metal Coping (24" Max. Parapet Height)	MB-11
Modified Bitumen Flashing Detail – Through Wall Scupper	MB-12
Modified Bitumen Flashing Detail – Downspout Scupper Box	MB-13
Modified Bitumen Flashing Detail – Cast Iron Roof Drain	MB-14
Modified Bitumen Flashing Detail – Raised Expansion Joint	MB-15
Modified Bitumen Flashing Detail – Roof Level Expansion Joint	MB-16
Modified Bitumen Flashing Detail – Wall Expansion Joint	MB-17
Modified Bitumen Flashing Detail – HVAC Unit	MB-18
Modified Bitumen Flashing Detail – Built-Up Roof Tie-In New Roof at Same Level	MB-19
Modified Bitumen Flashing Detail – Built-Up Roof Tie-In with Tapered Edge	MB-20
Modified Bitumen Flashing Detail – New Pitch Pan with Single Section Flashing	MB-21
Modified Bitumen Flashing Detail – Support Sleeper	MB-22
Modified Bitumen Flashing Detail – Outside Corner	MB-23
Modified Bitumen Flashing Detail – Inside Corner without Cant Strip	MB-24
Armourbond Flashing Inside Corner Option 1	MB-25A – MB-25B
Armourbond Flashing Inside Corner Option 2	MB-26A – MB-26B
Modified Bitumen Flashing Detail – Termination Bar	MB-27
Modified Bitumen Flashing Detail – Base Sheet Perimeter Attachment – Horizontal	MB-28
Modified Bitumen Flashing Detail – Base Sheet Perimeter Attachment – Vertical	MB-29
Modified Bitumen Flashing Detail – Base Sheet Perimeter Attachment – Angle	MB-30
Modified Bitumen Flashing Detail – Protectobase at Parapet Detail	MB-31
Modified Bitumen Flashing Detail – Perimeter Flame Free	FF-1
Modified Bitumen Flashing Detail – Perimeter Flame Free – Low Temperature	FF-2

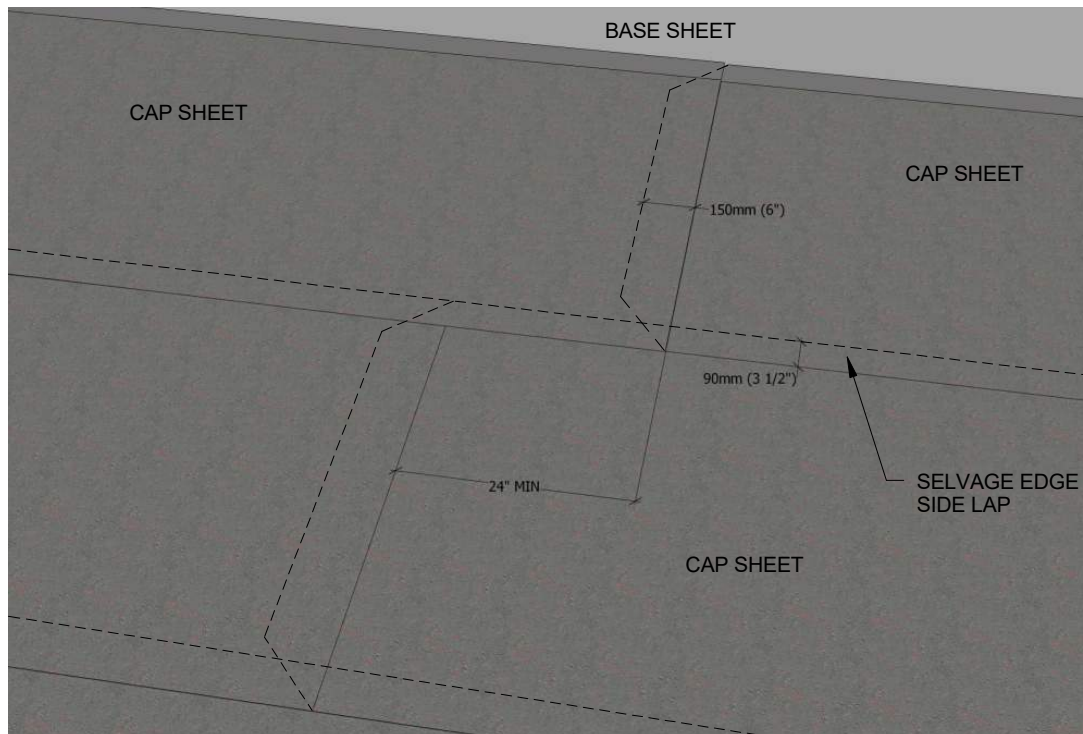
Modified Bitumen Flashing Detail – Angled Cut End Lap



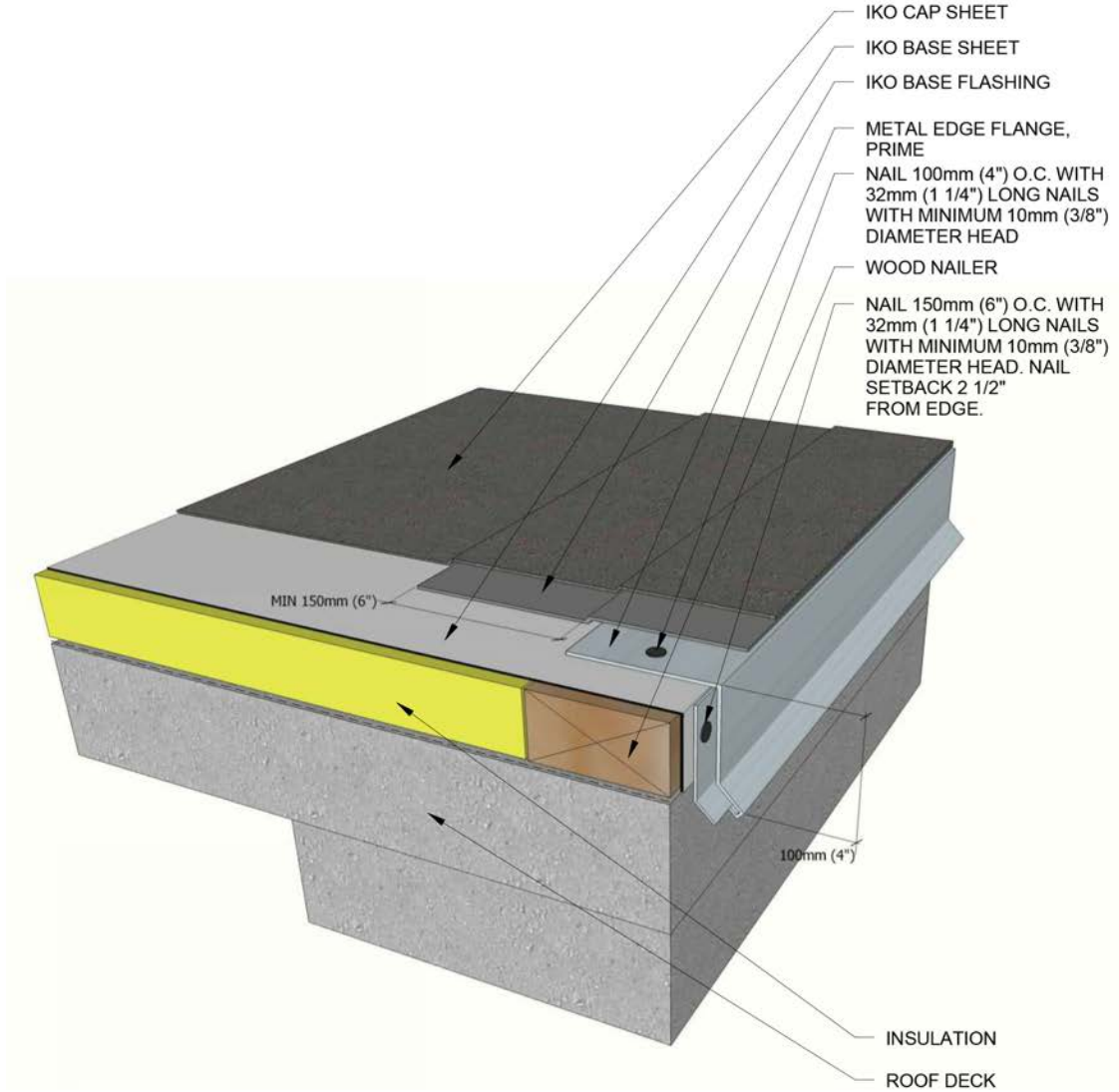


Modified Bitumen Flashing Detail – Staggered End End Lap

Modified Bitumen Flashing Details

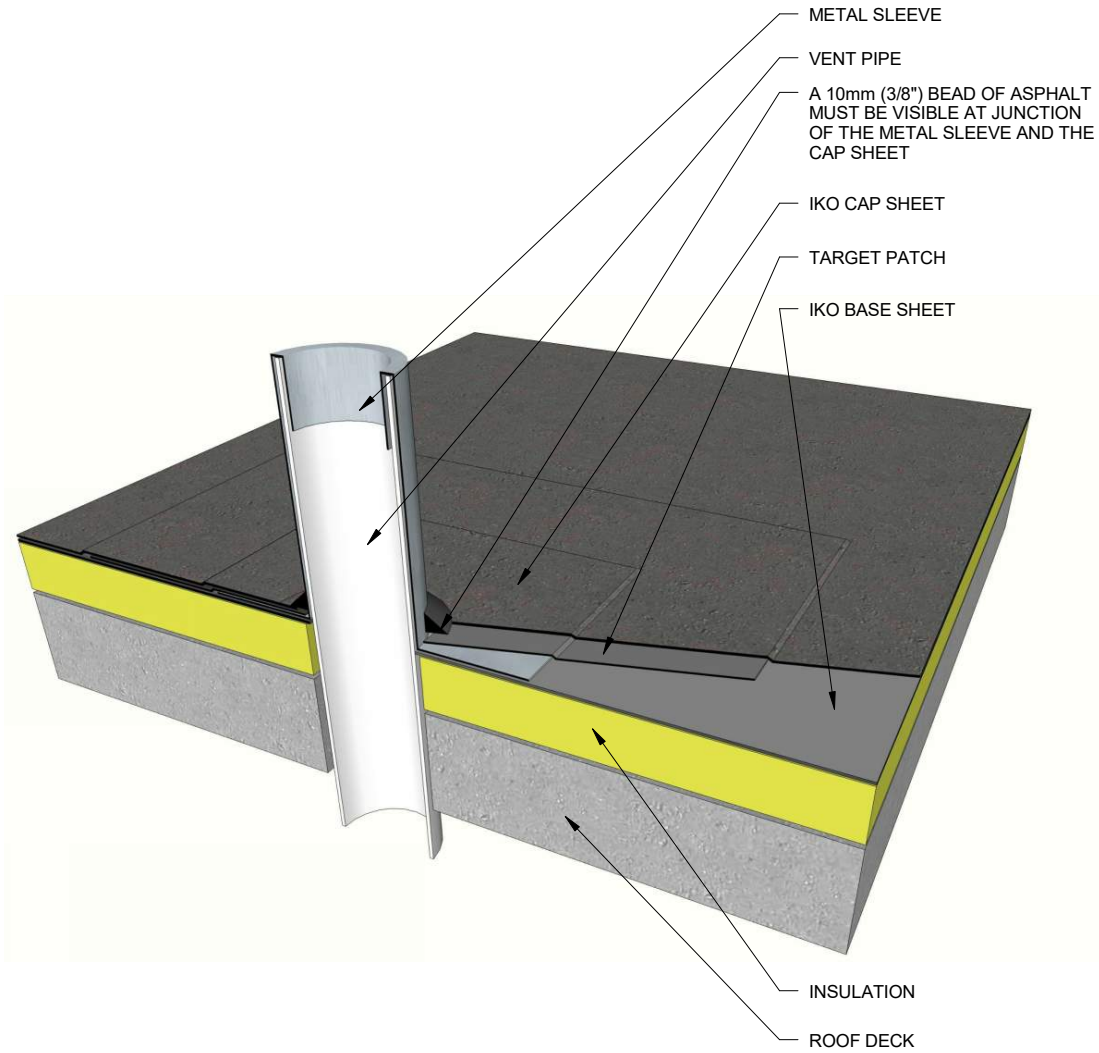


**Modified Bitumen Flashing Detail – Roof Edge with
Base Flashing and Cap Sheet Flashing**

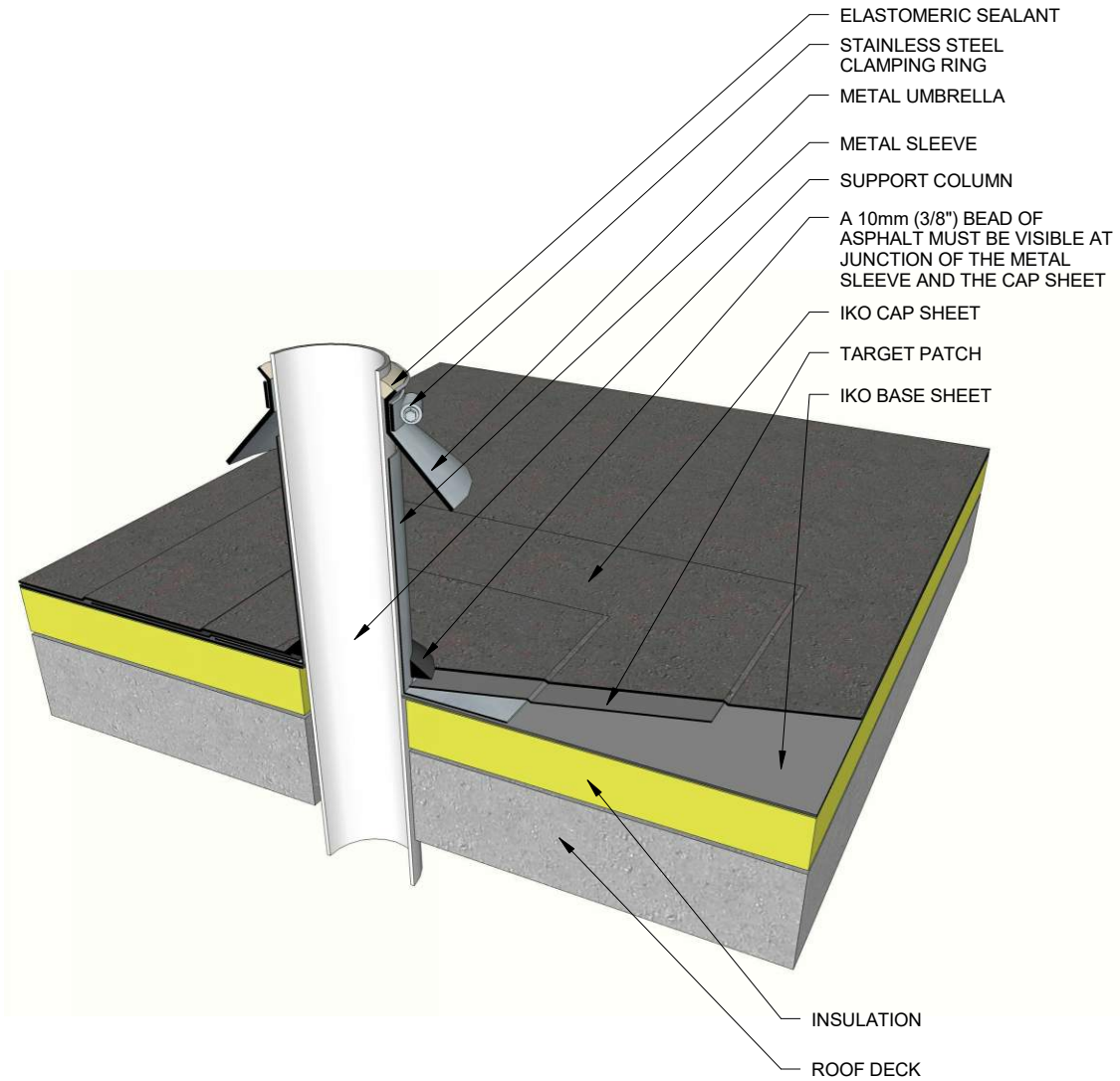




Vent Pipe Flashing



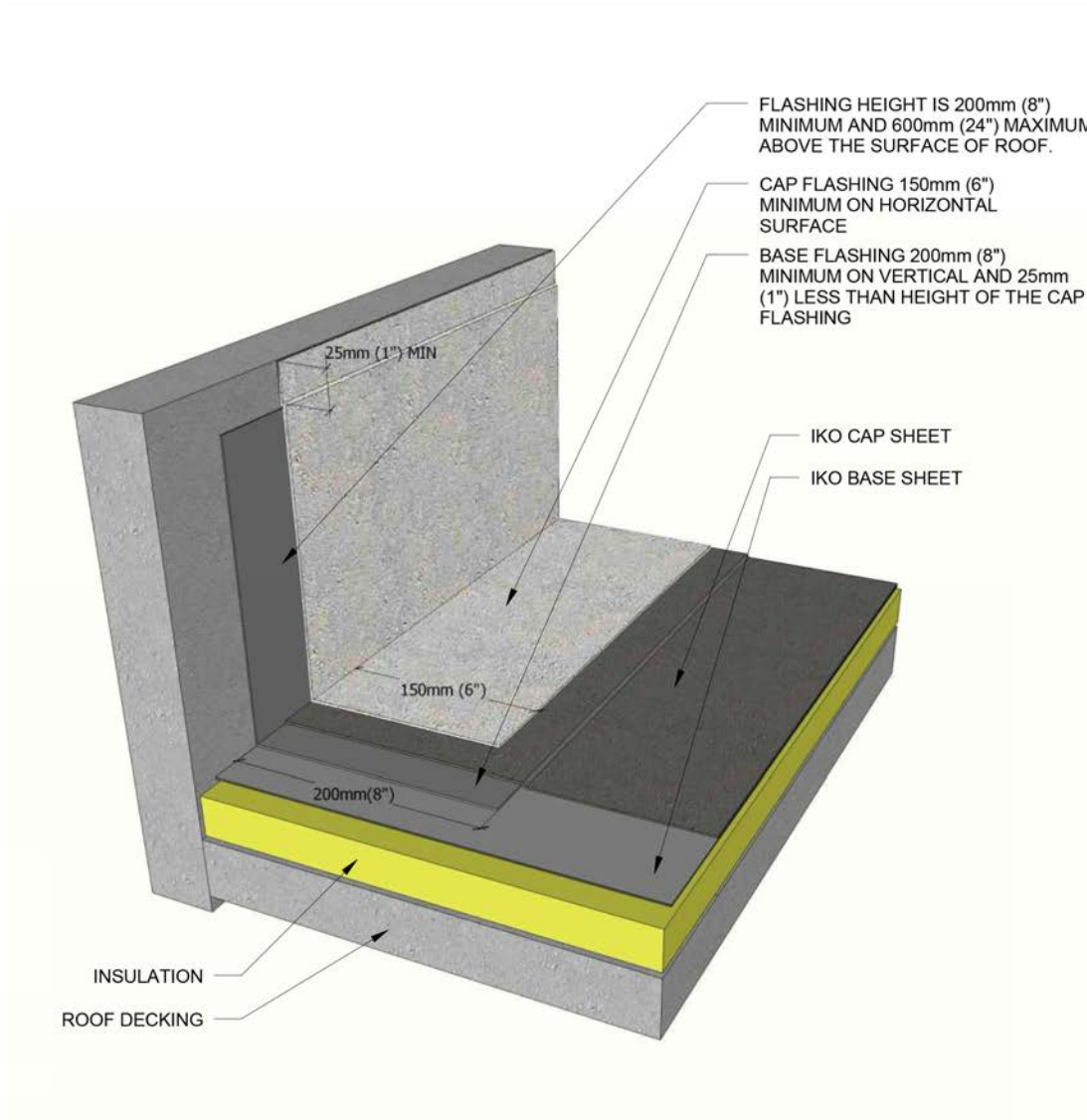
Support Column Flashing



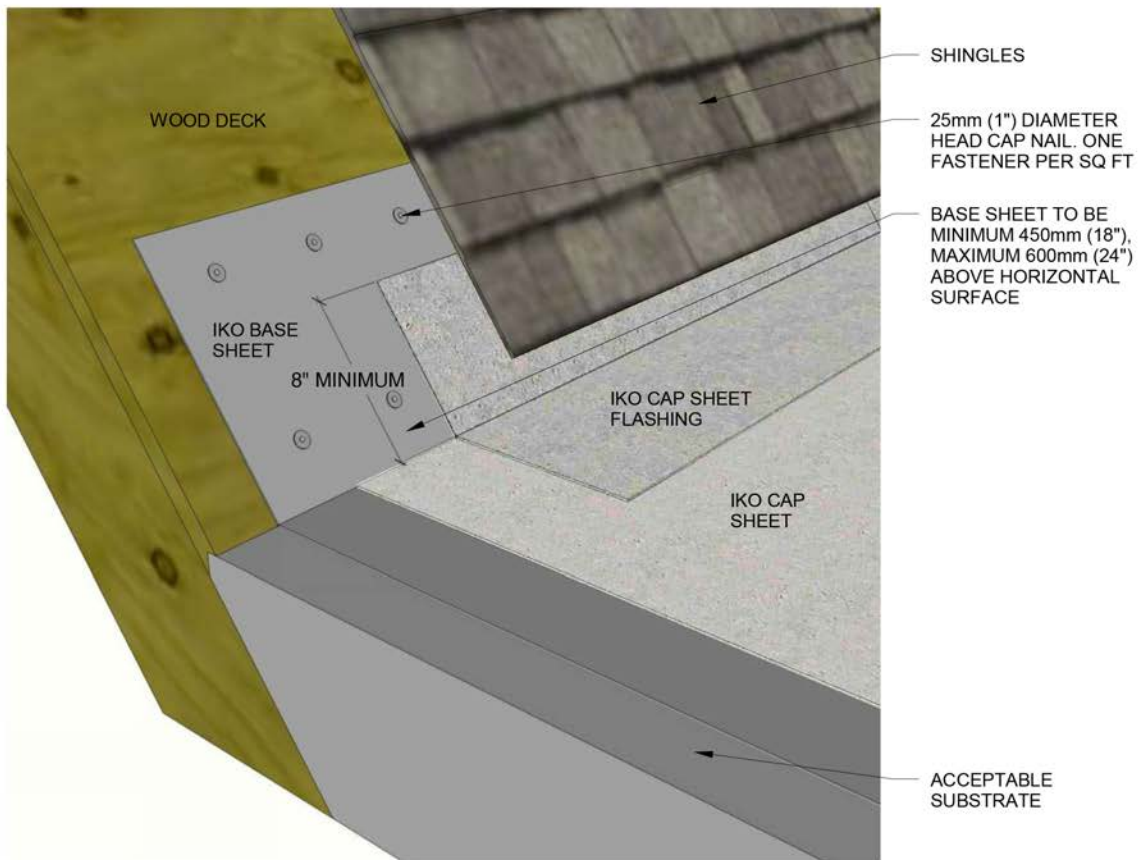


Modified Bitumen Flashing Detail – Parapet/Curb Flashing on All Substrates

Modified Bitumen Flashing Details



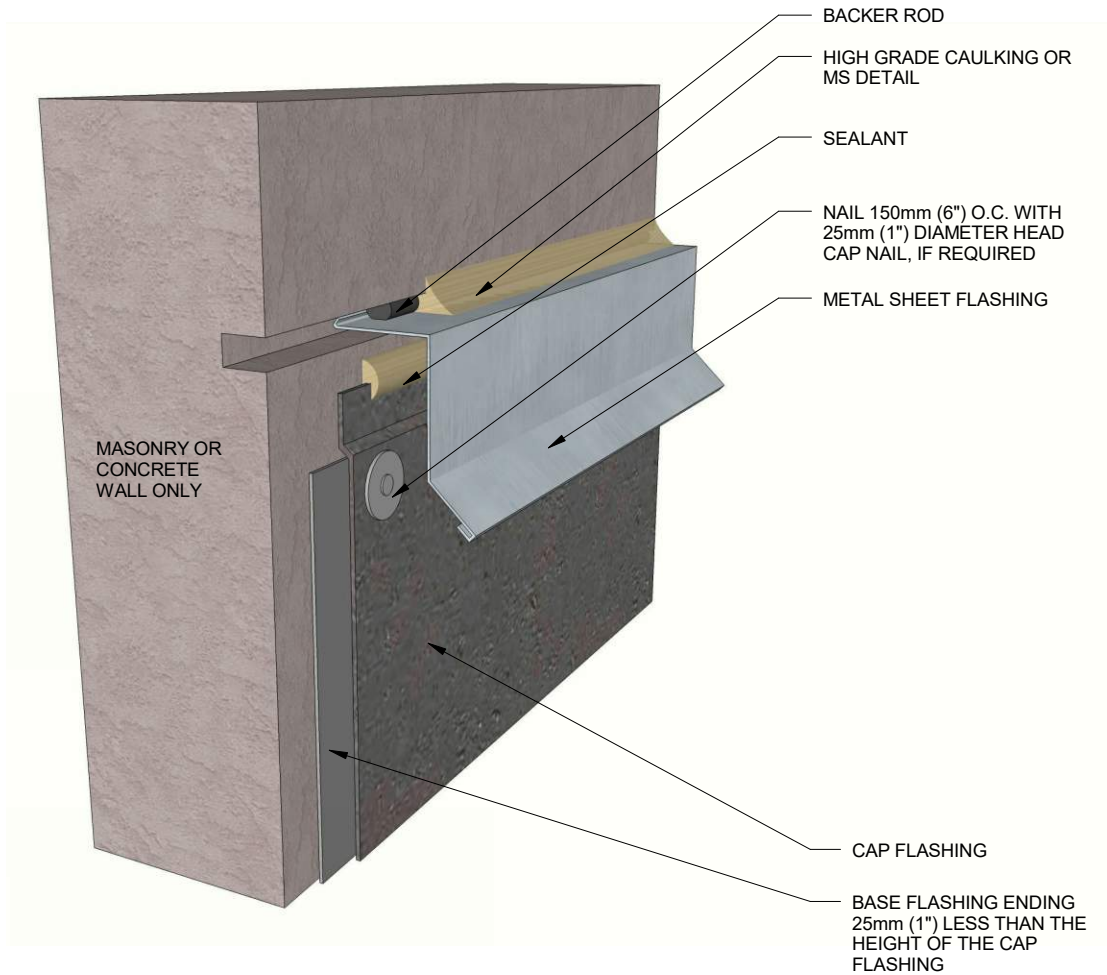
Modified Bitumen Flashing Detail – Shingle Roof Tie-In



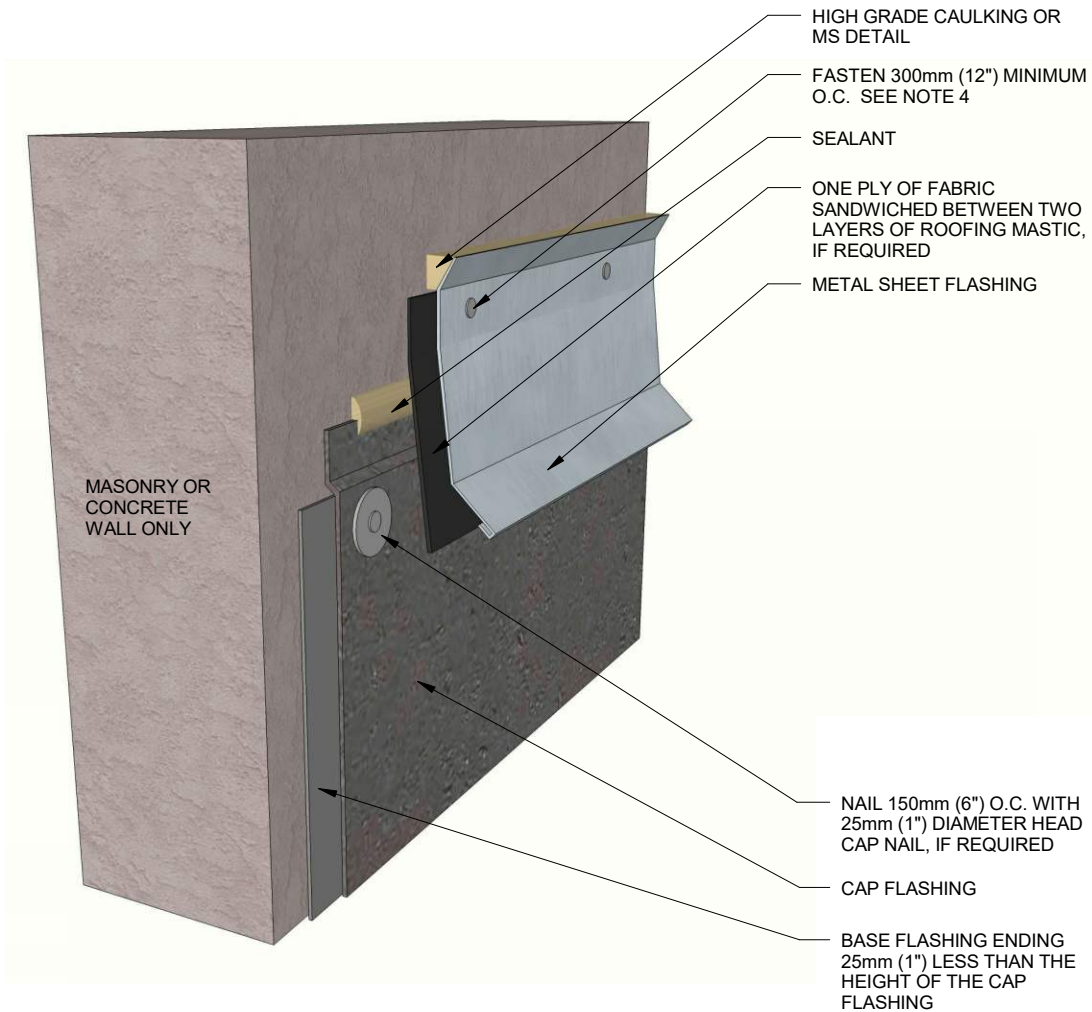


Modified Bitumen Flashing Detail – Reglet Mounted Counterflashing

Modified Bitumen Flashing Details



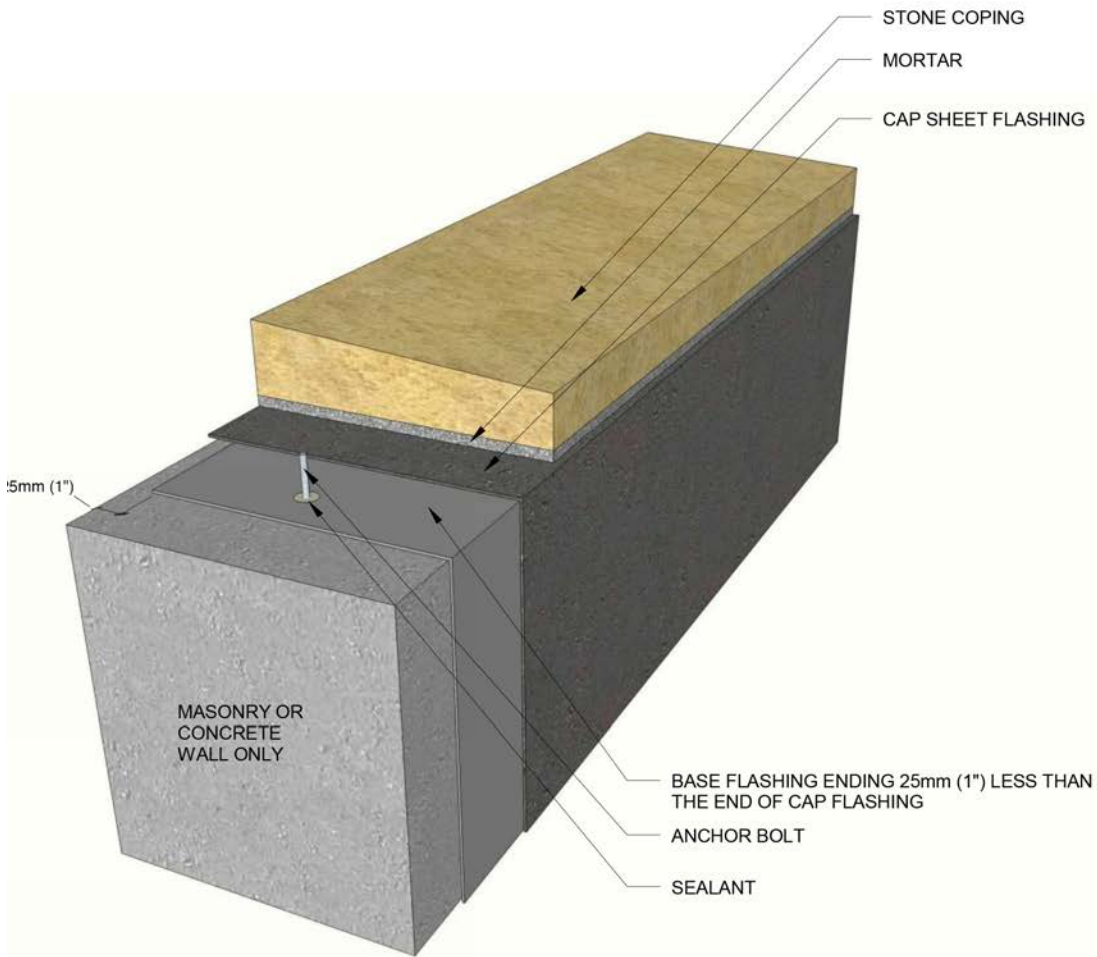
Modified Bitumen Flashing Detail – Surface Mounted Counterflashing



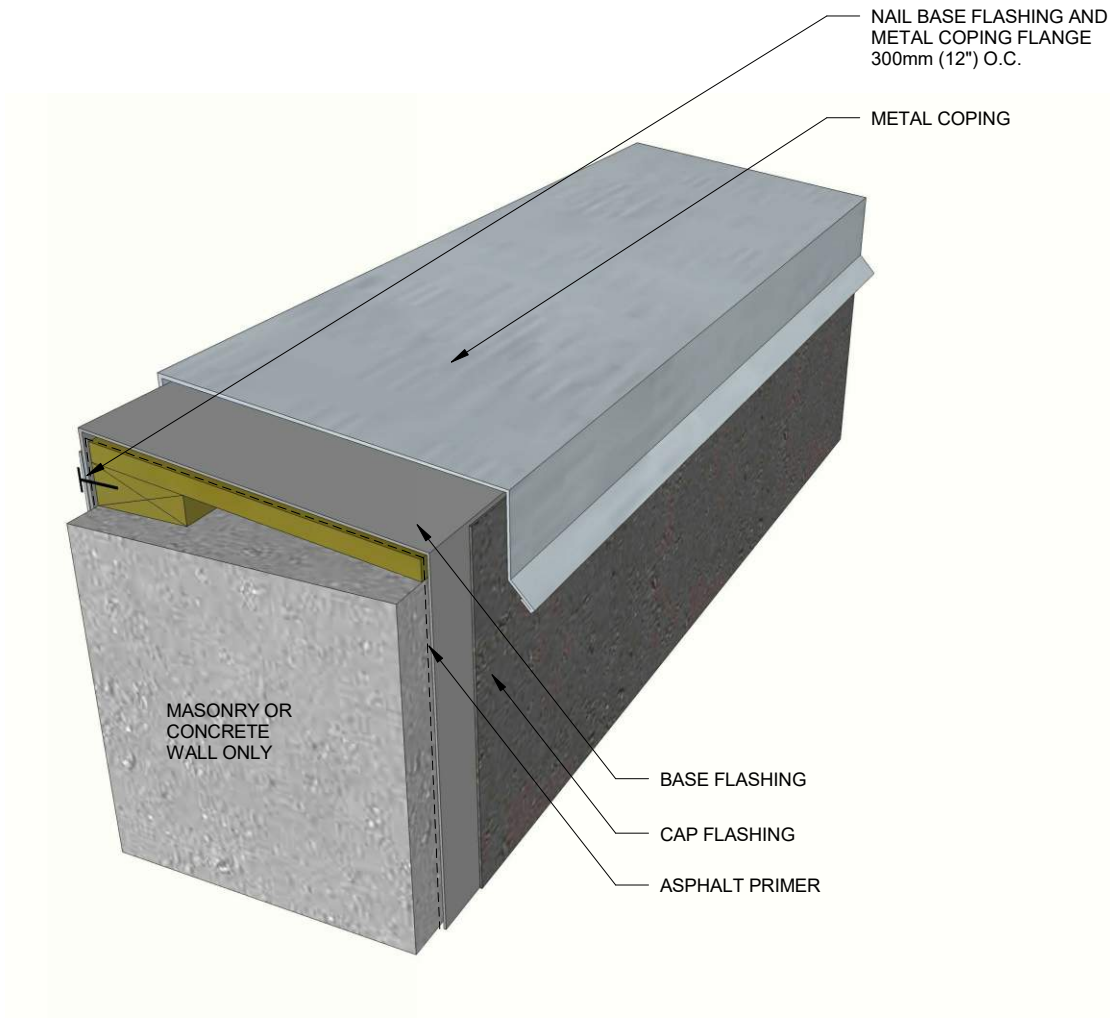


Modified Bitumen Flashing Detail – Masonry Coping

Modified Bitumen Flashing Details

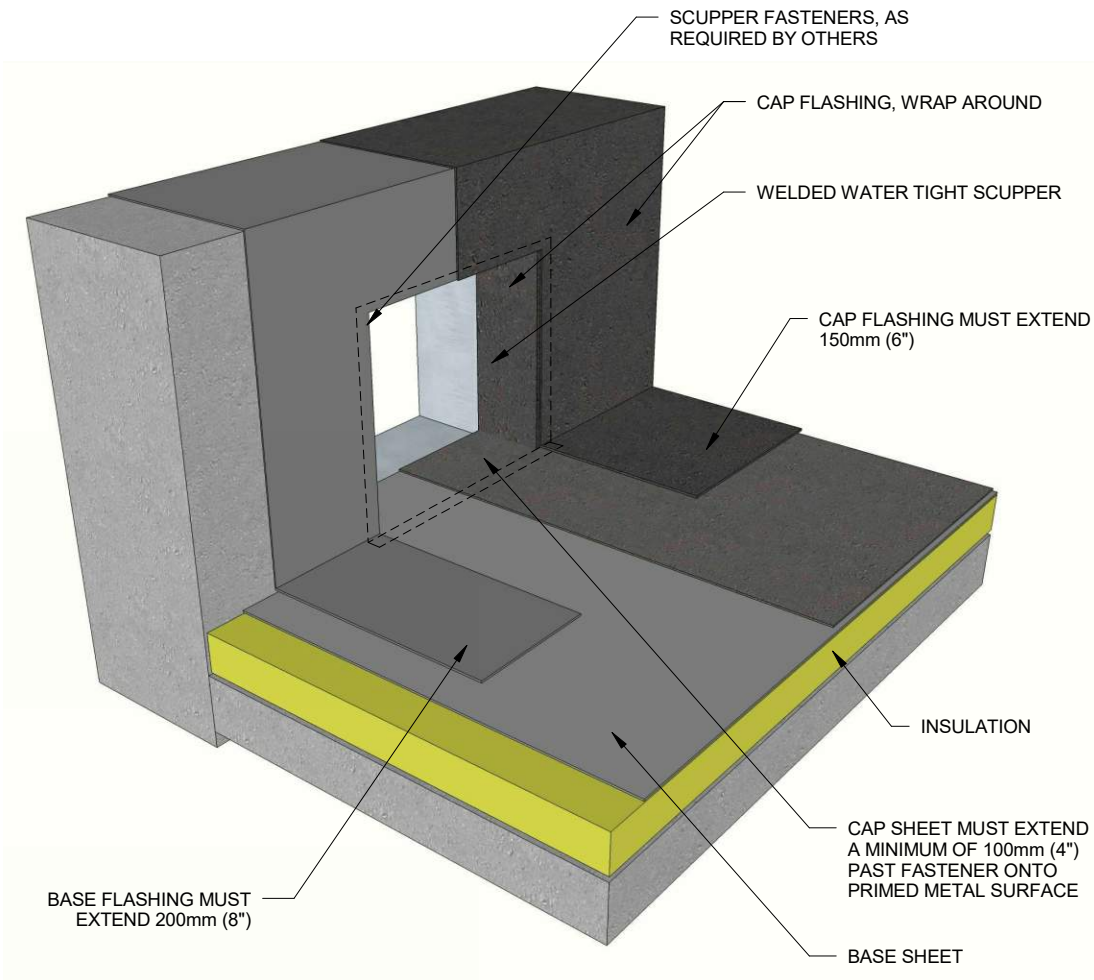


**Modified Bitumen Flashing Detail – Metal Coping
(24" Max. Parapet Height)**

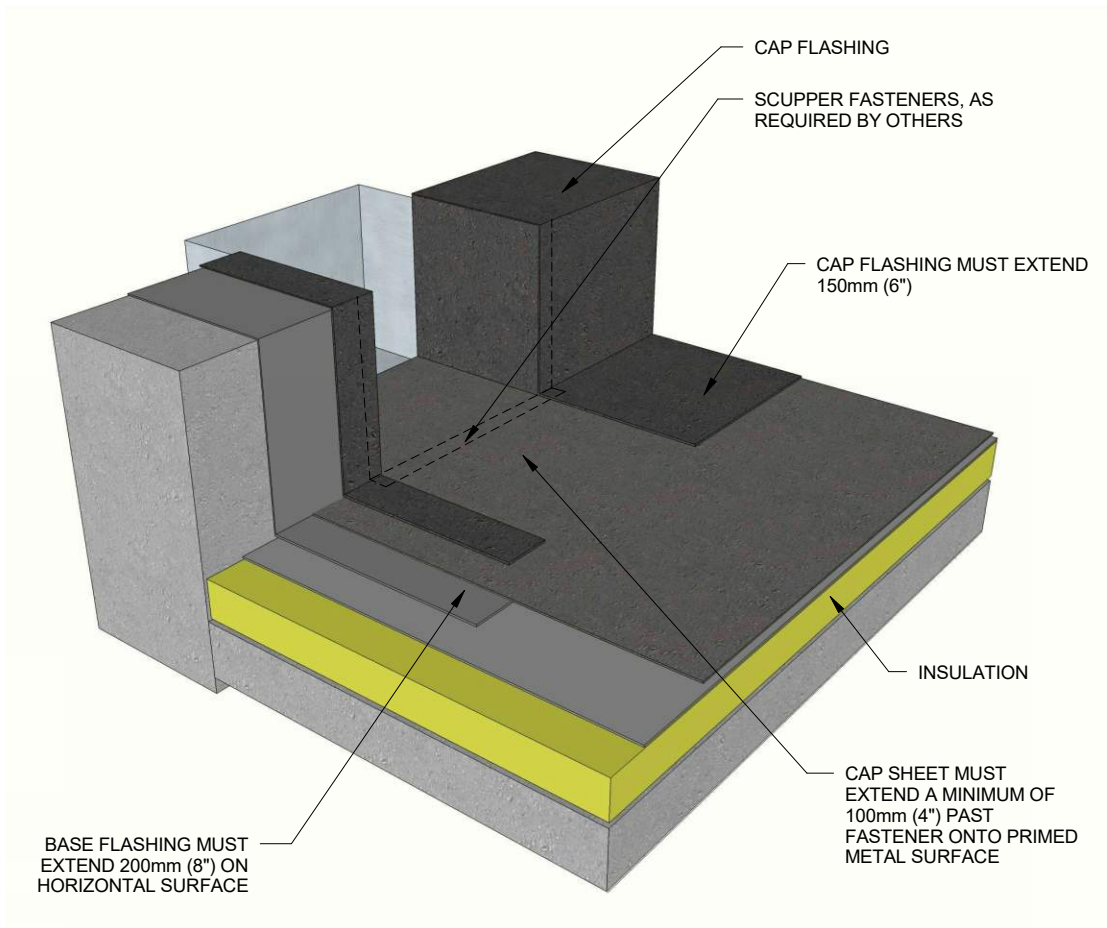


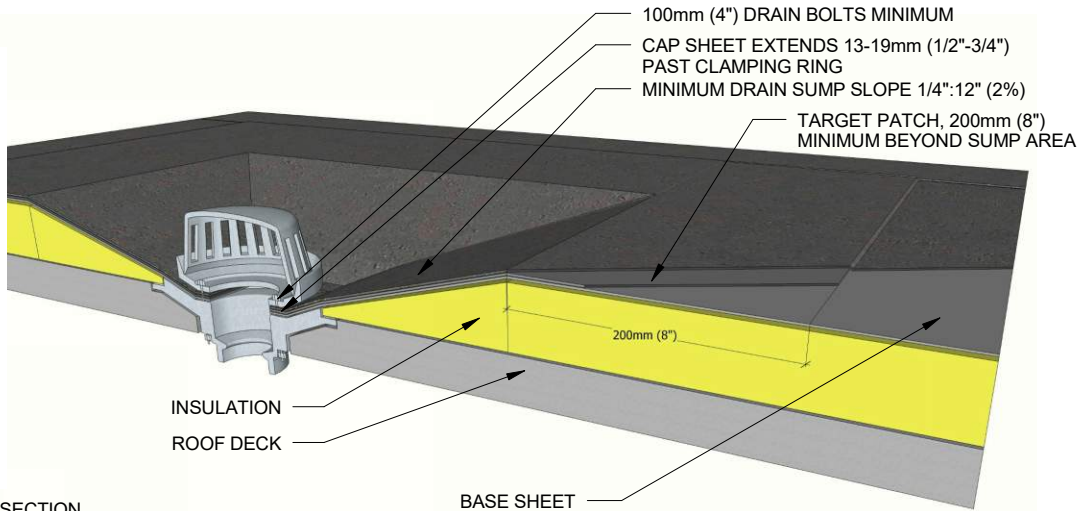
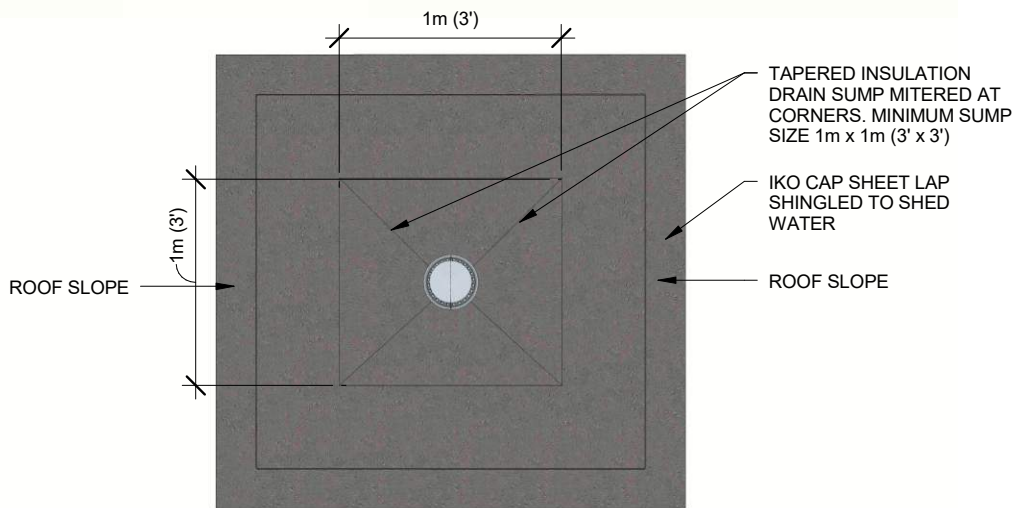


Modified Bitumen Flashing Detail – Through Wall Scupper

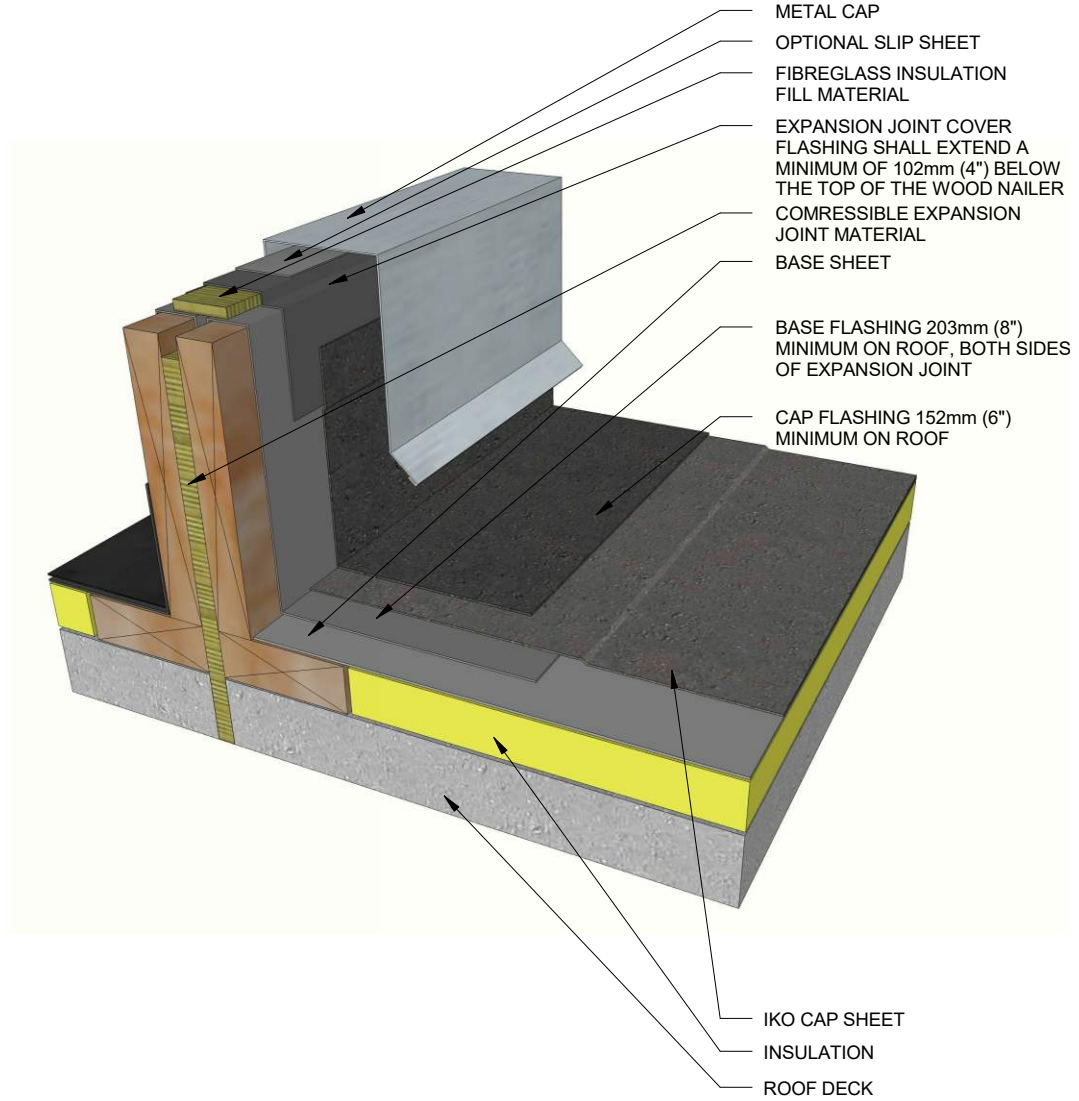


Modified Bitumen Flashing Detail – Downspout Scupper Box



Modified Bitumen Flashing Detail – Cast Iron Roof Drain

SECTION

PLAN

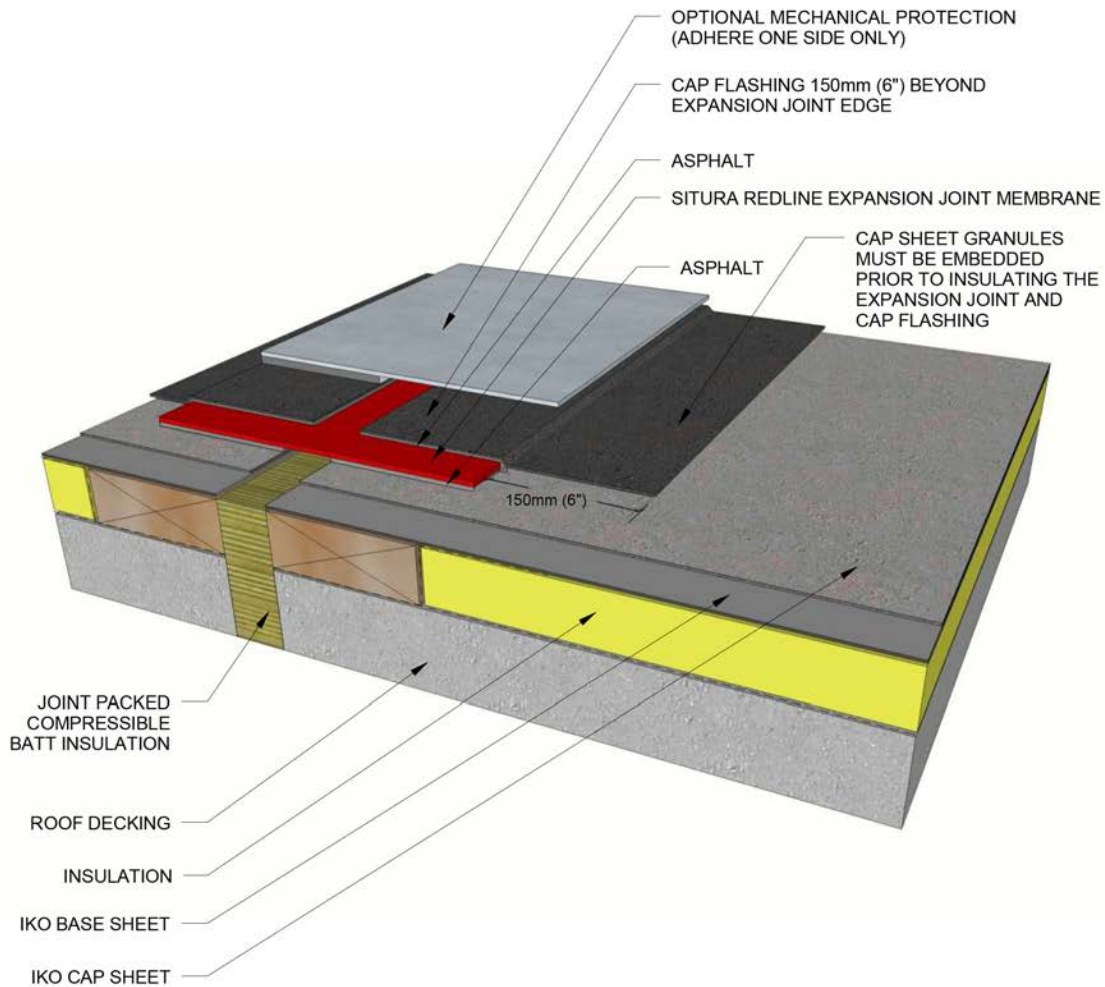
Modified Bitumen Flashing Detail – Raised Expansion Joint



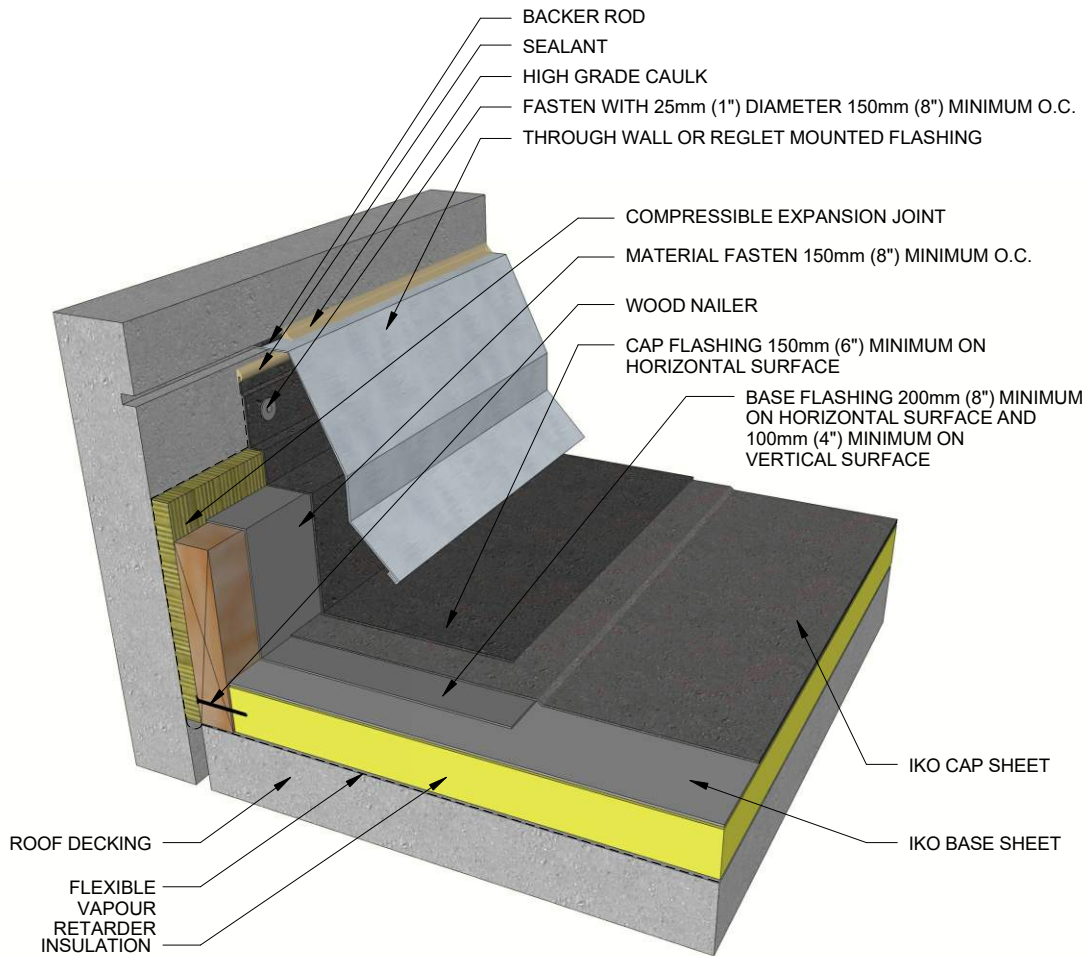


Modified Bitumen Flashing Detail – Roof Level Expansion Joint

Modified Bitumen Flashing Details



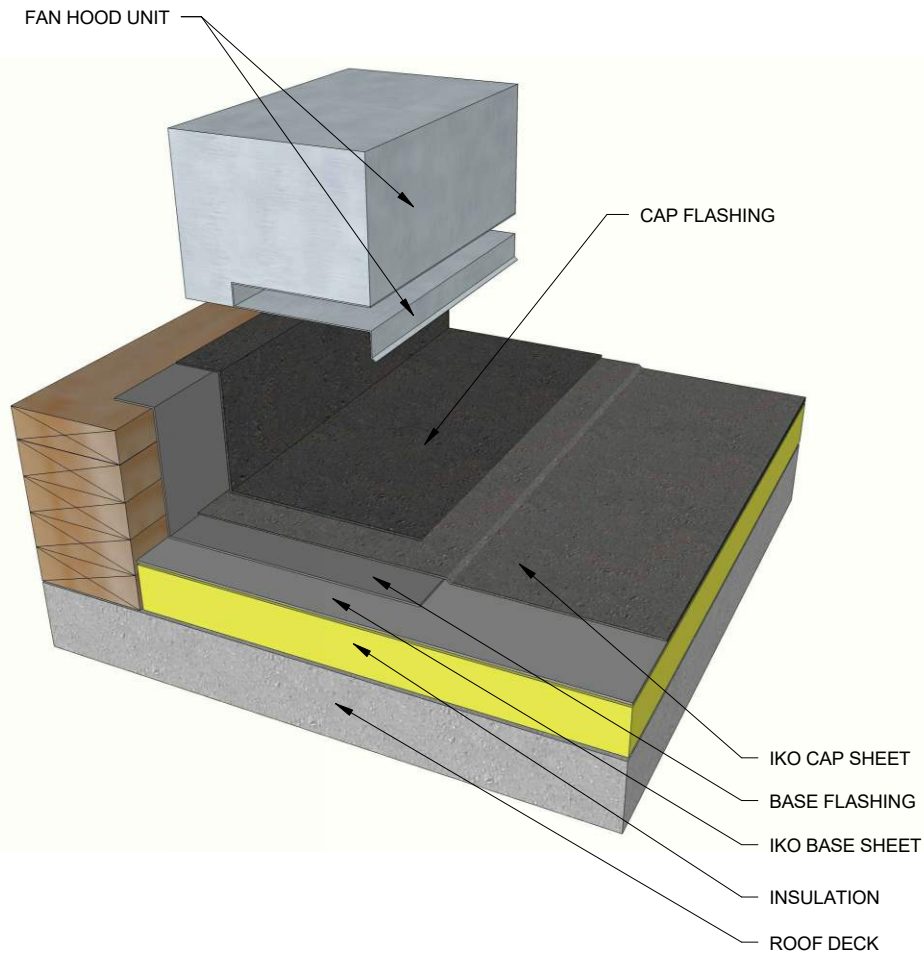
Modified Bitumen Flashing Detail – Wall Expansion Joint



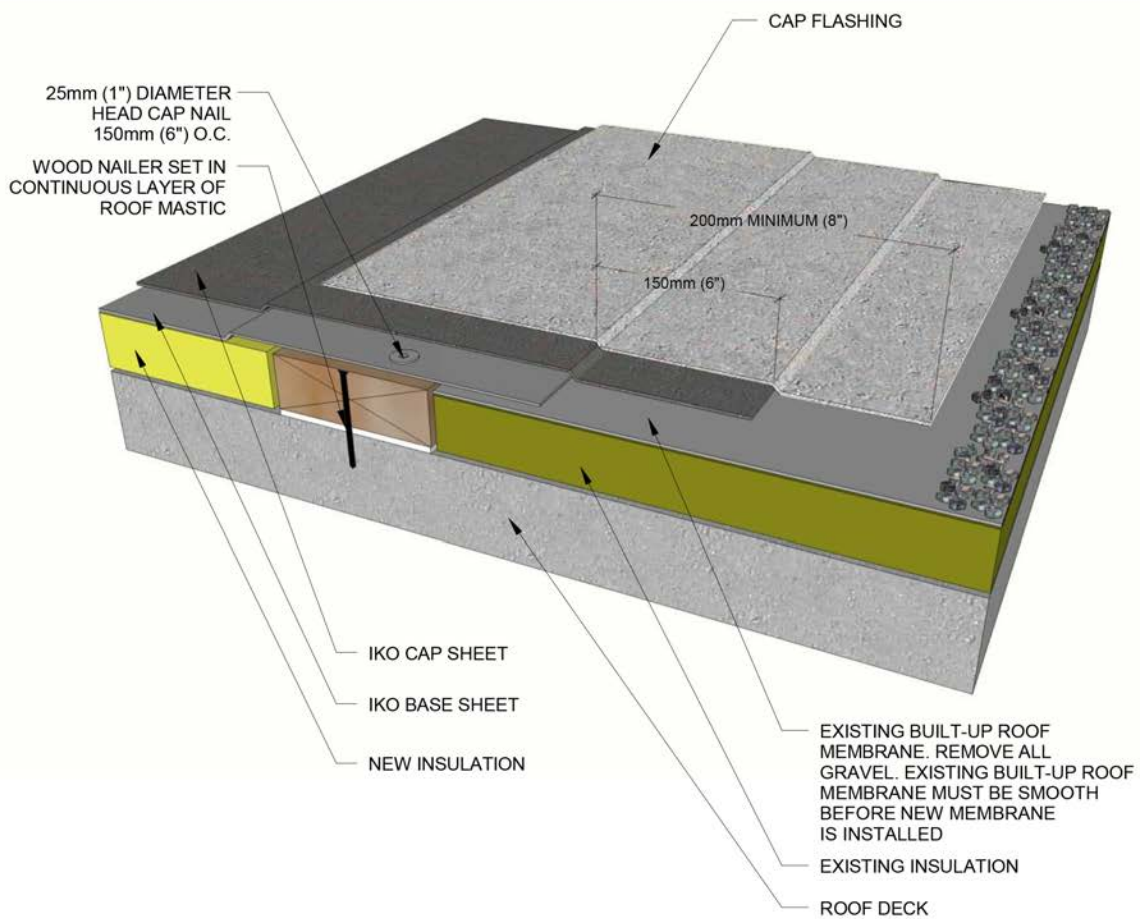


Modified Bitumen Flashing Detail – HVAC Unit

Modified Bitumen Flashing Details

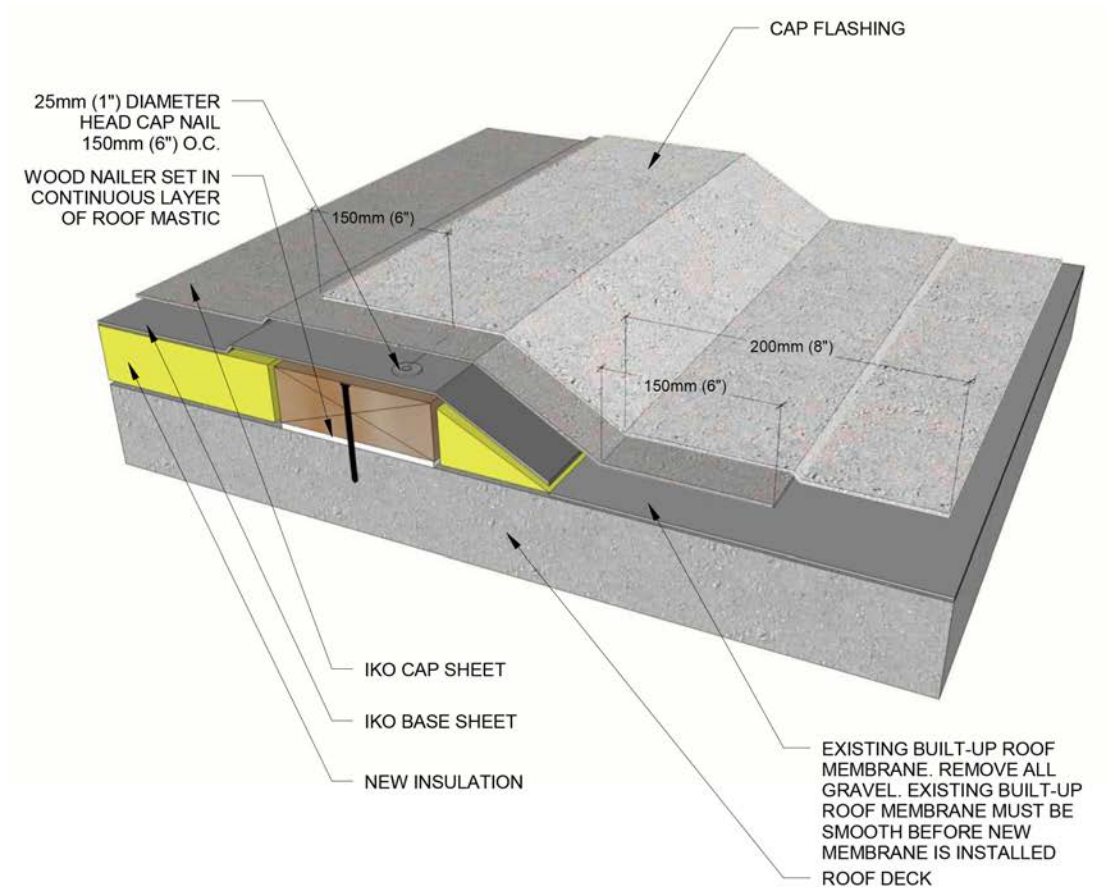


**Modified Bitumen Flashing Detail – Built-Up Roof Tie-In
New Roof at Same Level**

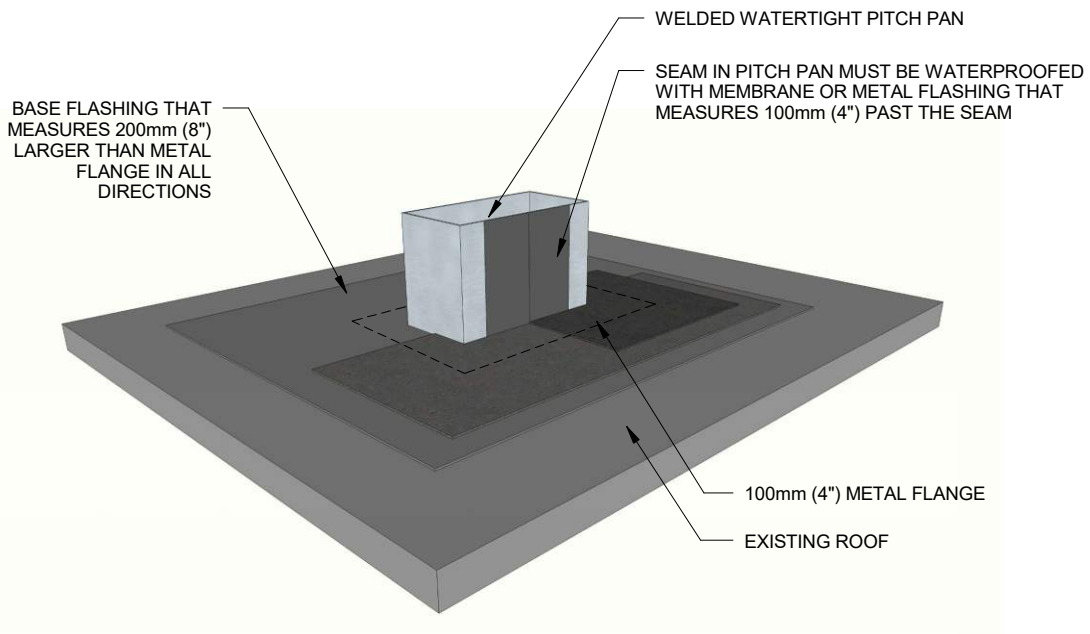




Modified Bitumen Flashing Detail – Built-Up Roof Tie-In with Tapered Edge

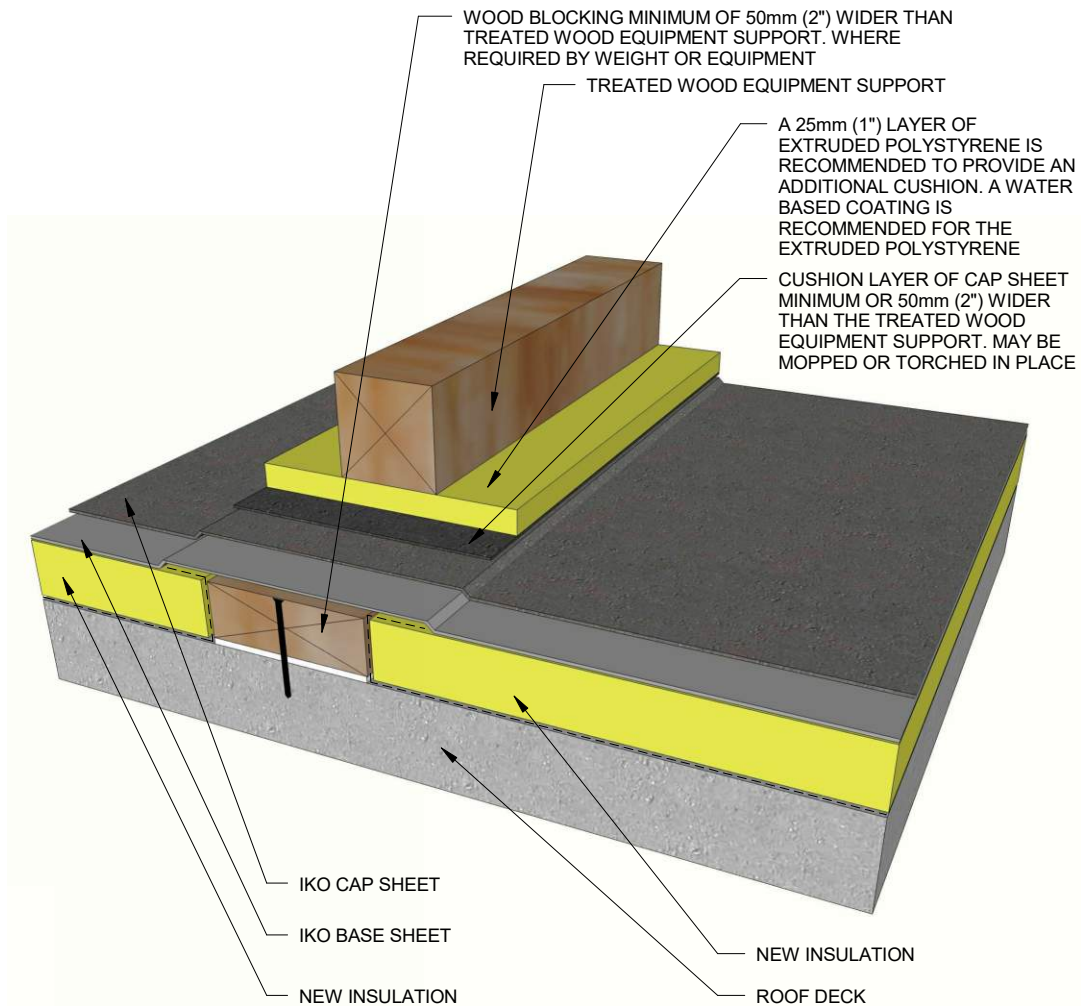


**Modified Bitumen Flashing Detail – New Pitch Pan
with Single Section Flashing**

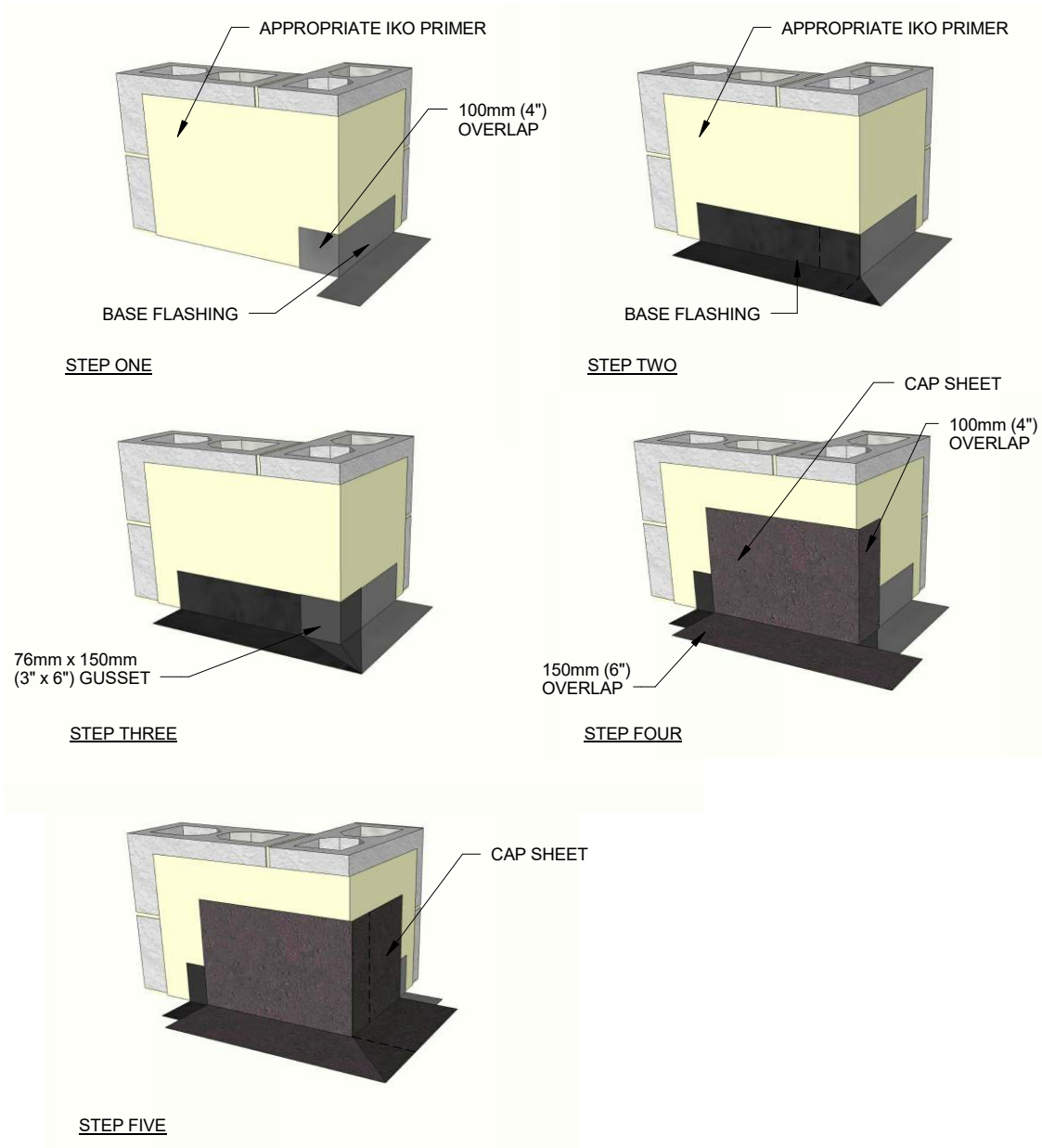




Modified Bitumen Flashing Detail – Support Sleeper

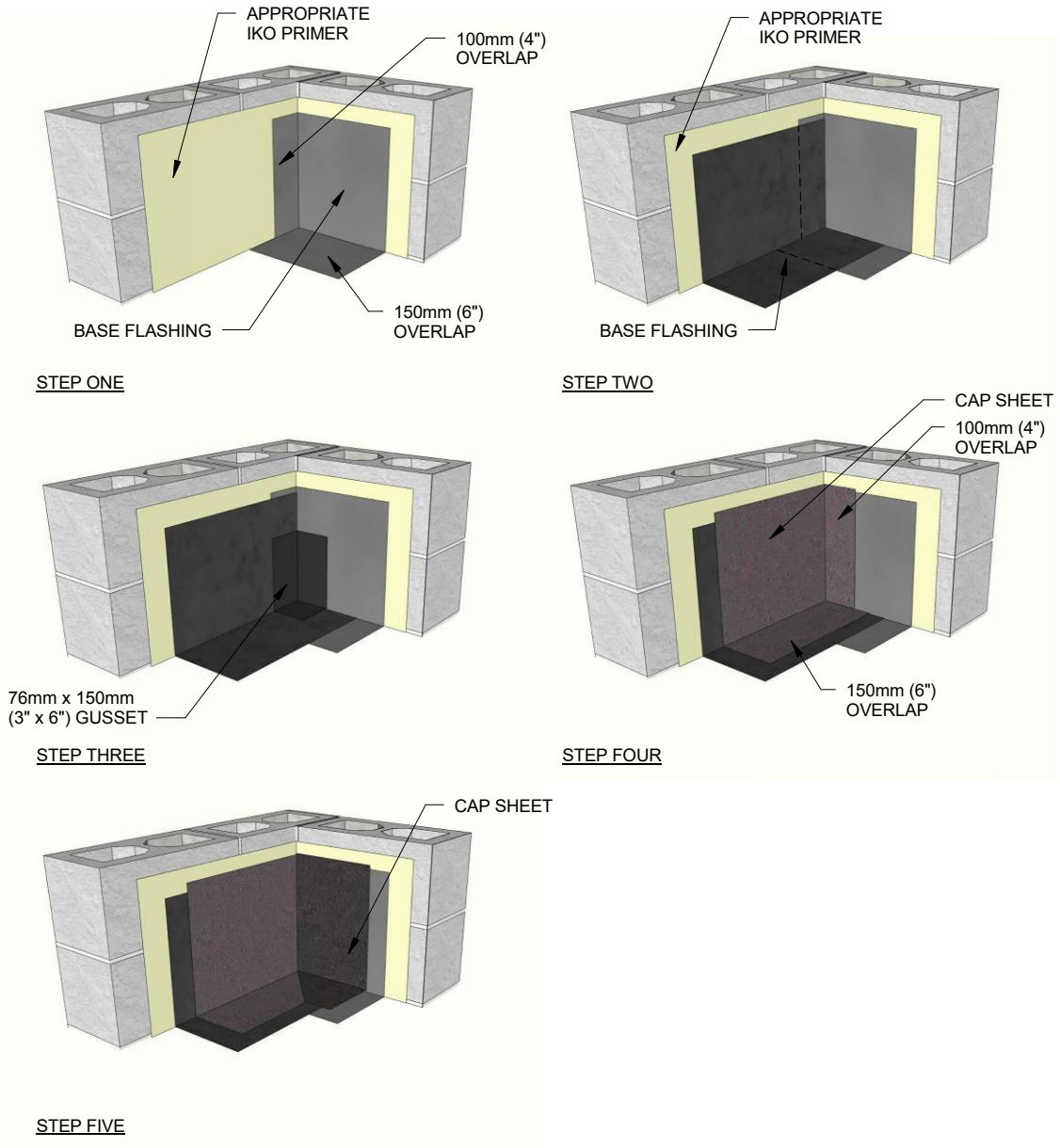


Modified Bitumen Flashing Detail – Outside Corner

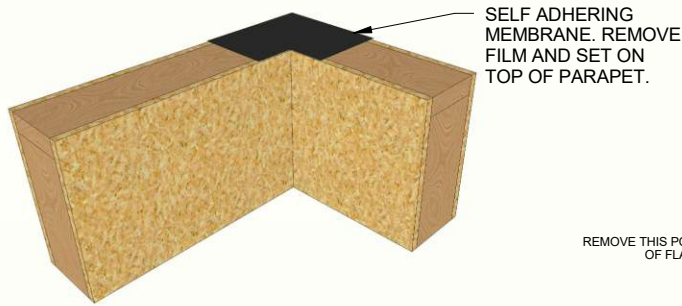




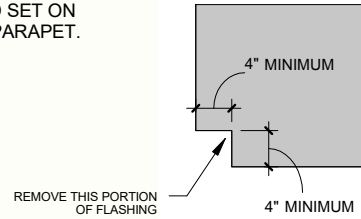
Modified Bitumen Flashing Detail – Inside Corner without Cant Strip



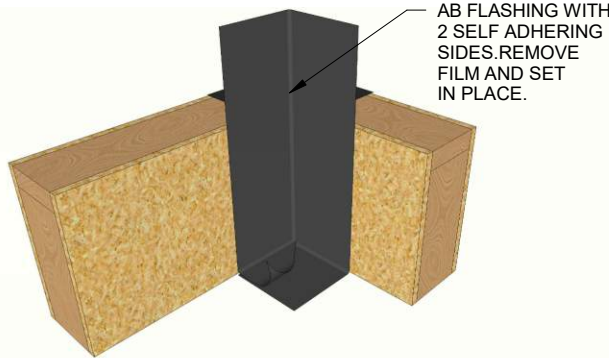
ArmourBond™ – Flashing Inside Corner Option 1



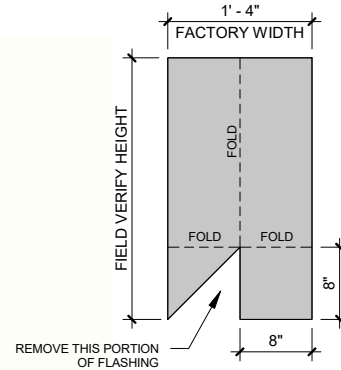
STEP ONE



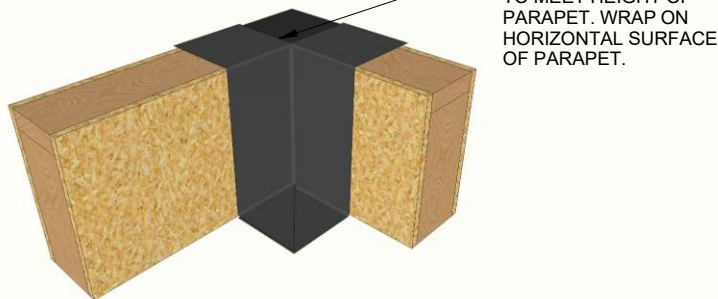
STEP ONE: FLASHING PATTERN



STEP TWO



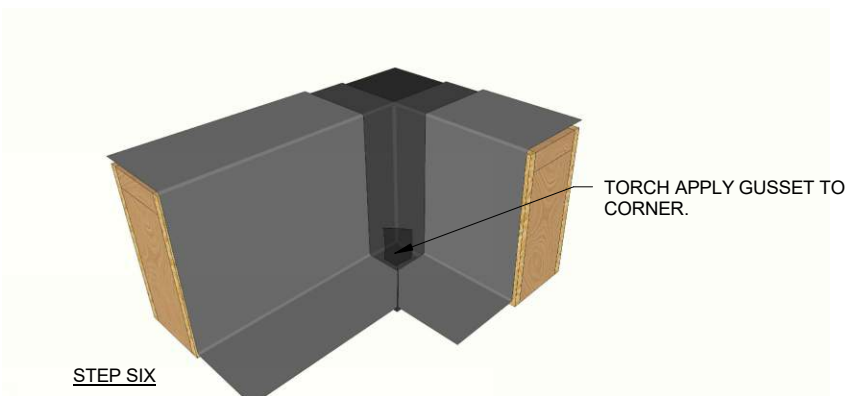
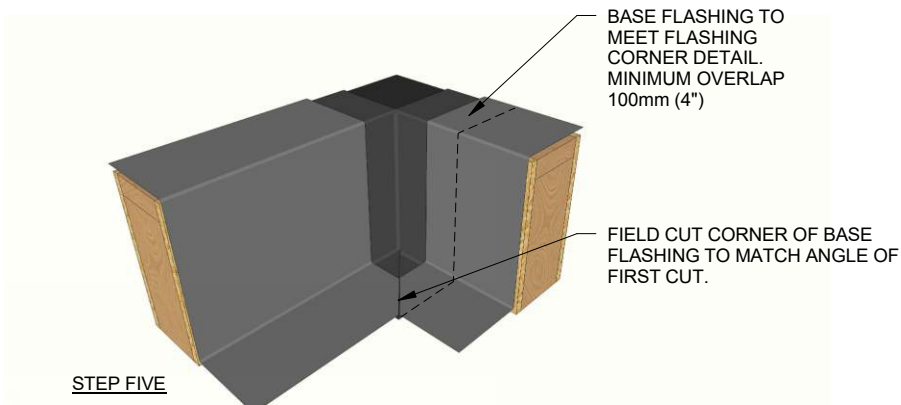
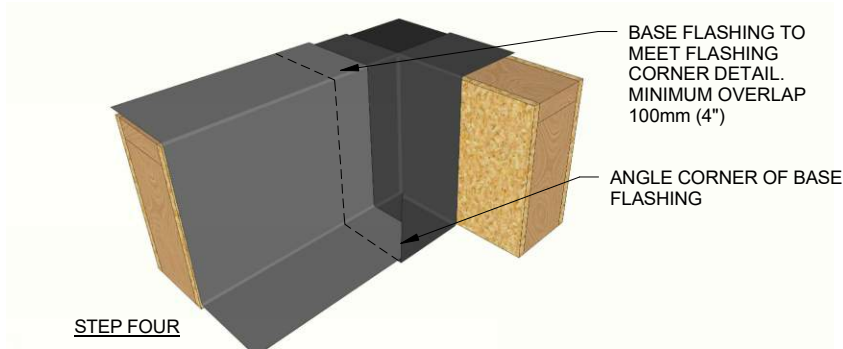
STEP TWO: FLASHING PATTERN



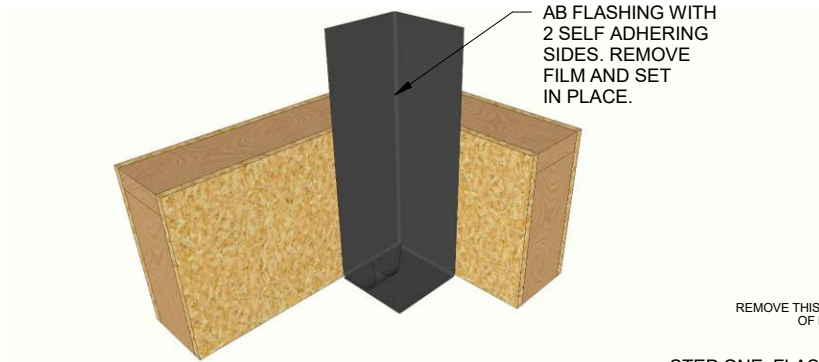
STEP THREE



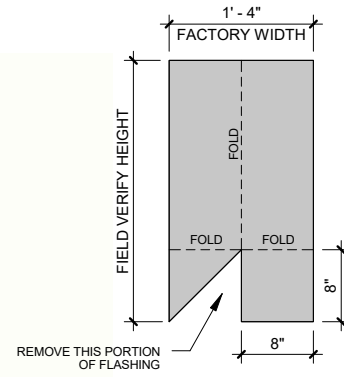
ArmourBond™ – Flashing Inside Corner Option 1



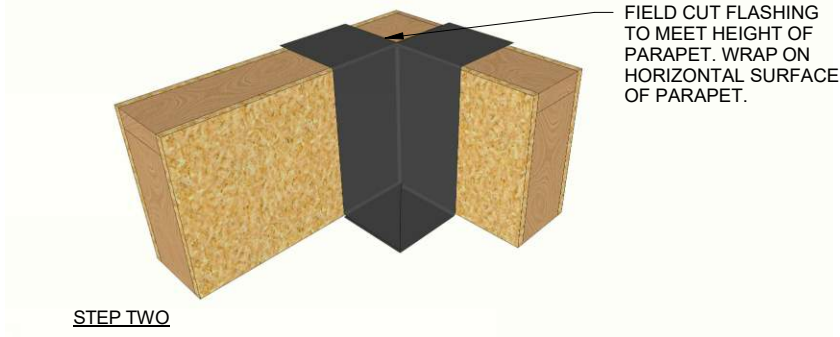
ArmourBond™ – Flashing Inside Corner Option 2



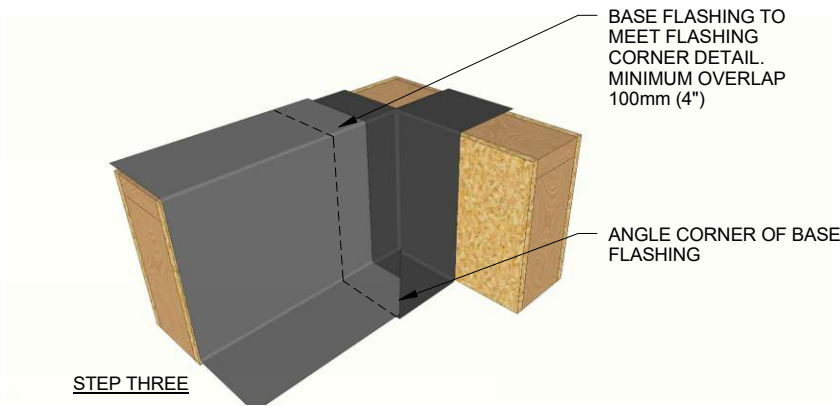
STEP ONE



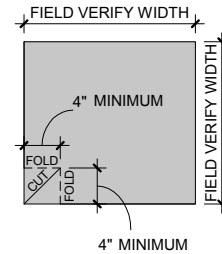
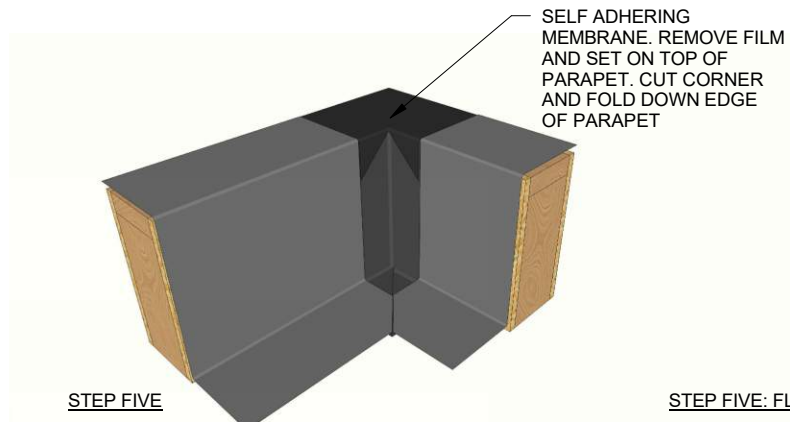
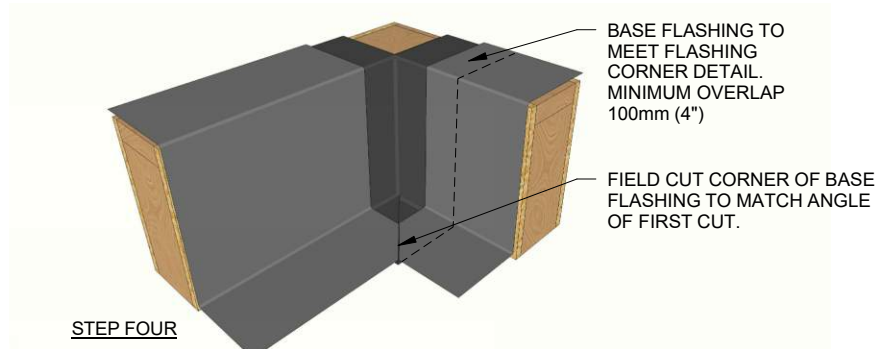
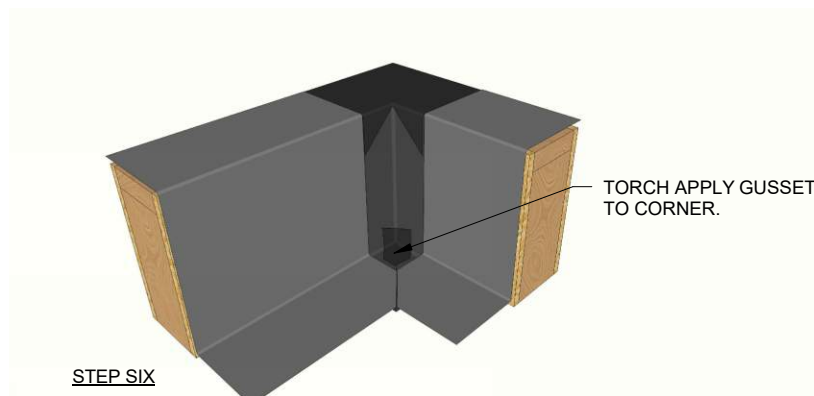
STEP ONE: FLASHING PATTERN



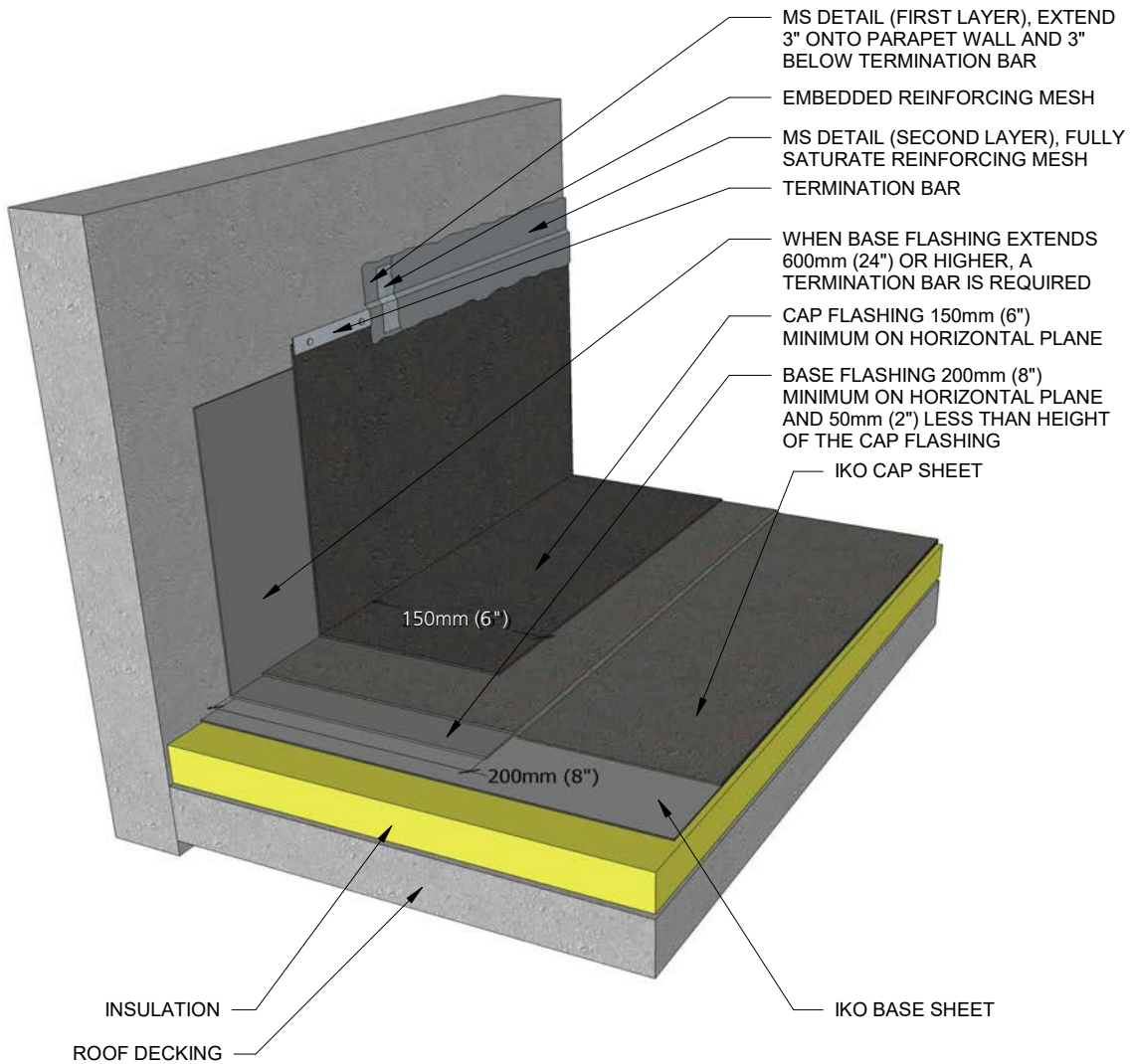
STEP TWO



STEP THREE

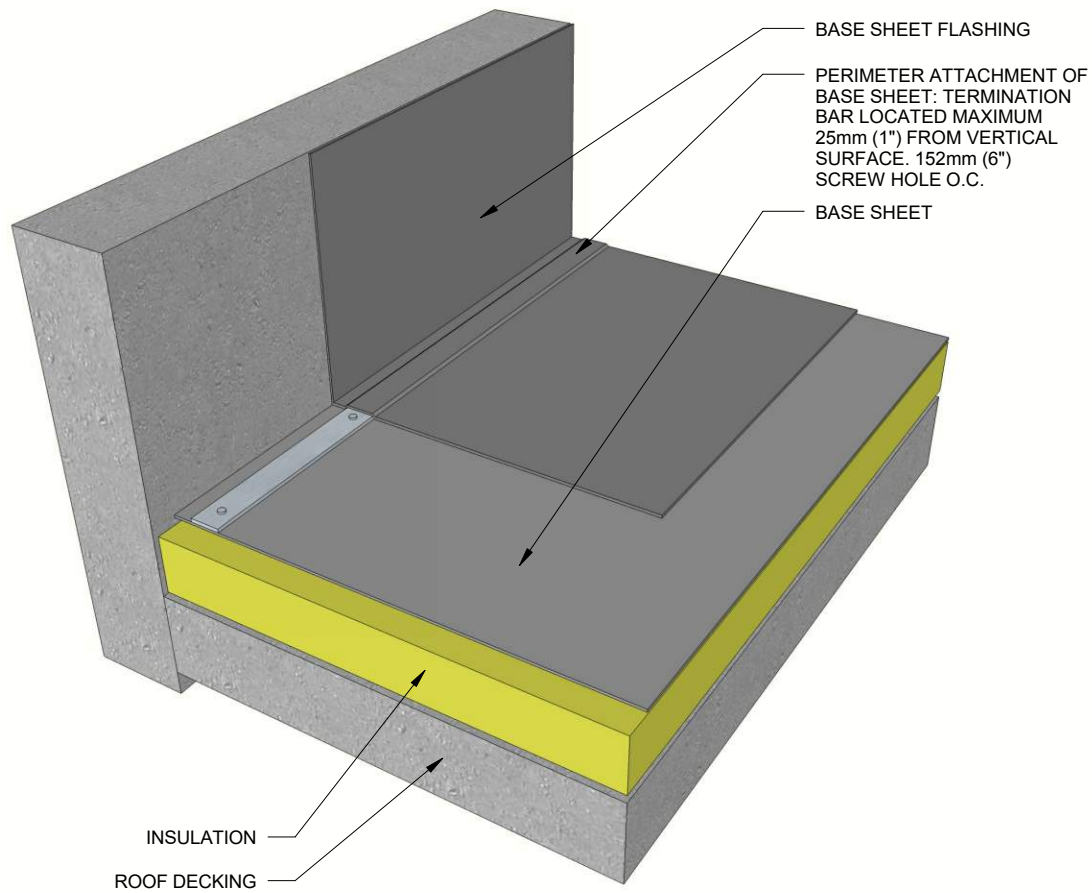
ArmourBond™ – Flashing Inside Corner Option 2**STEP FIVE: FLASHING PATTERN**

Modified Bitumen Flashing Detail – Termination Bar

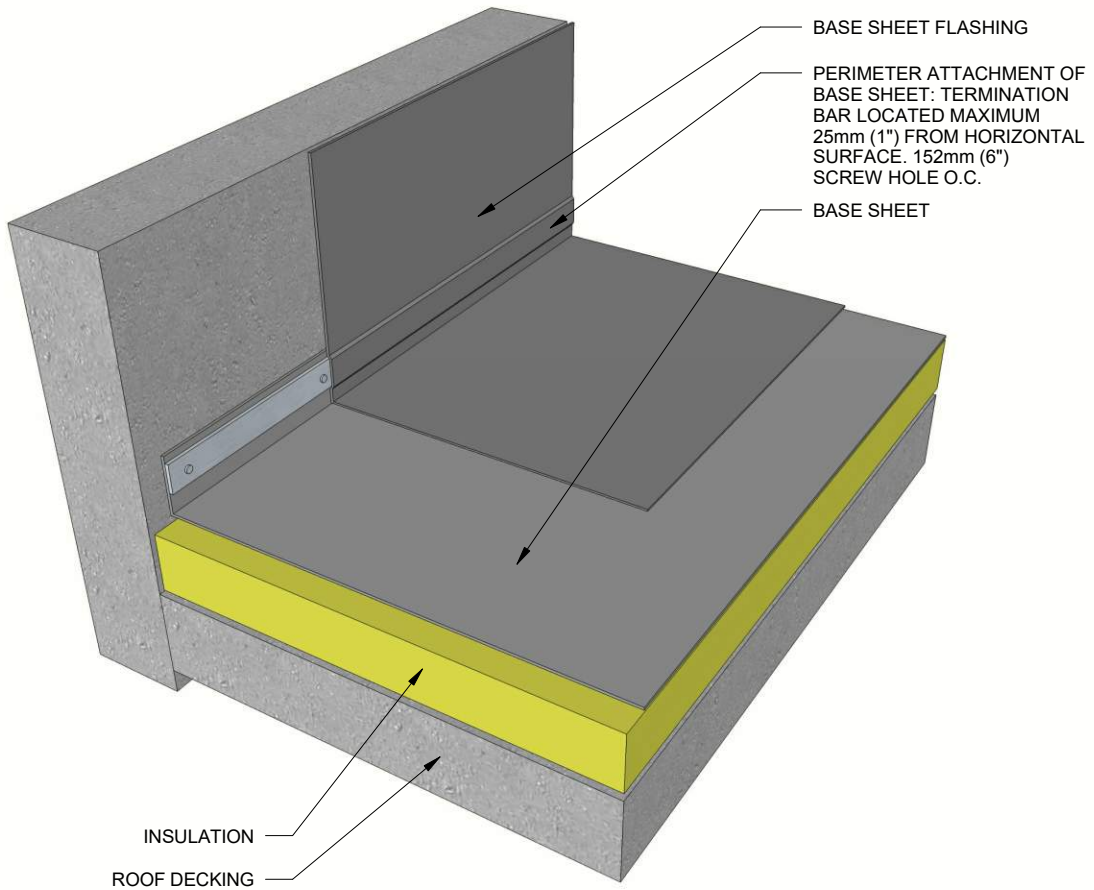




Modified Bitumen Flashing Detail – Base Sheet Perimeter Attachment – Horizontal

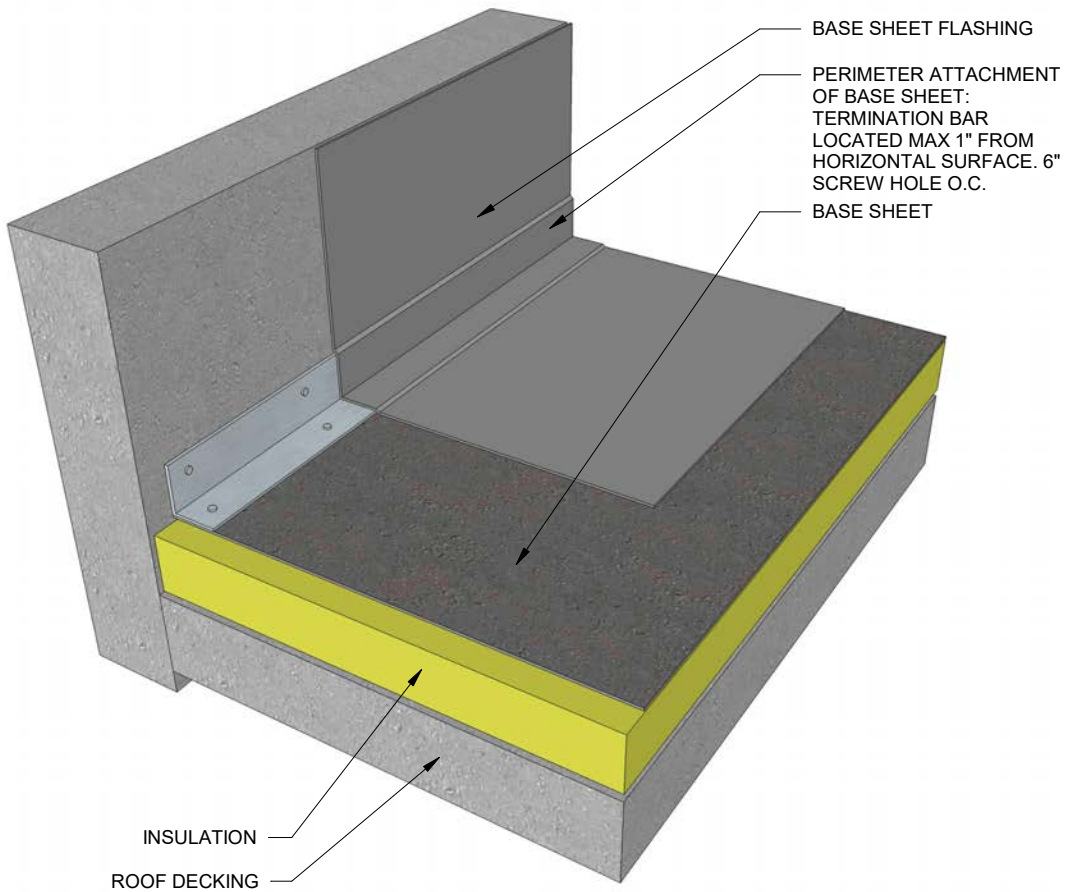


Modified Bitumen Flashing Detail – Base Sheet Perimeter Attachment – Vertical

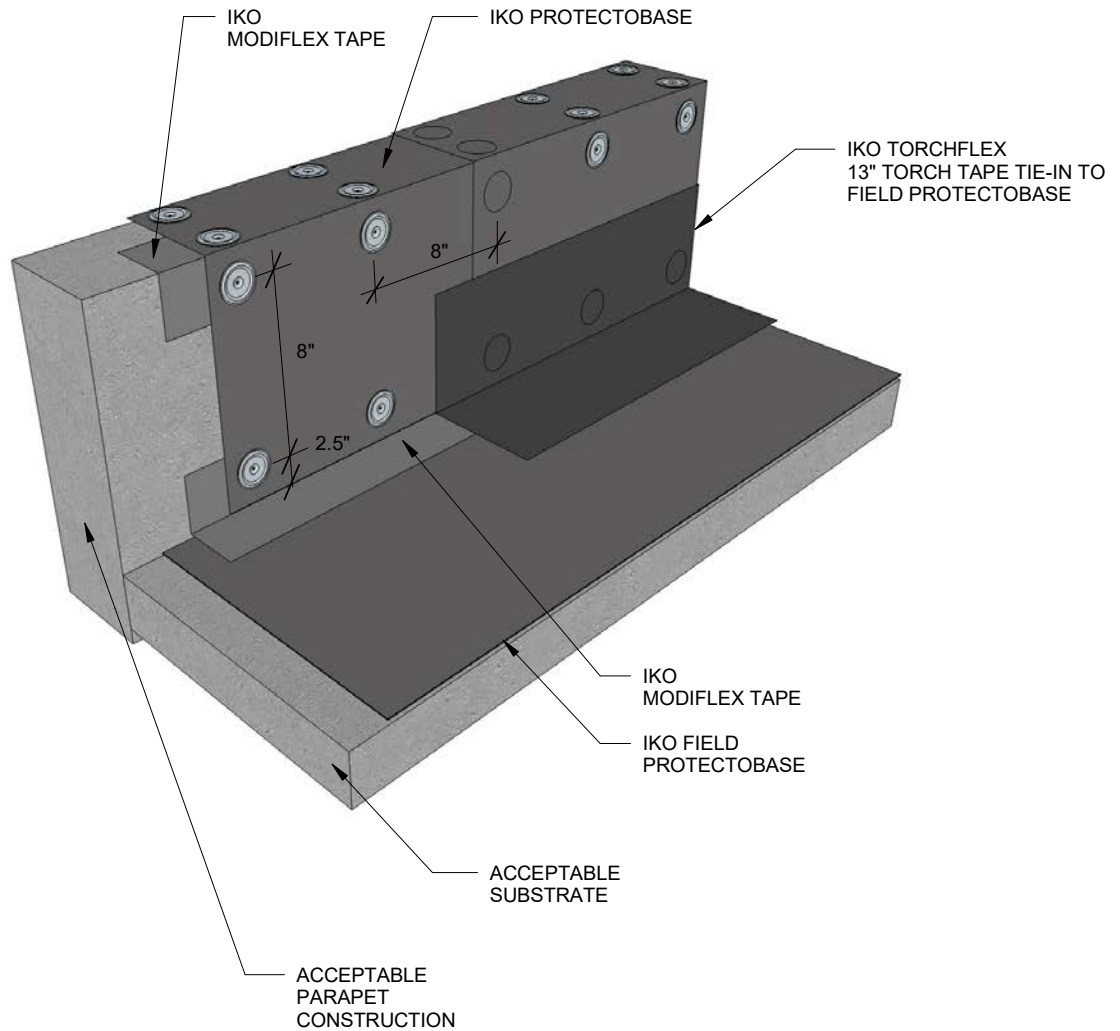




Modified Bitumen Flashing Detail – Base Sheet Perimeter Attachment – Angle



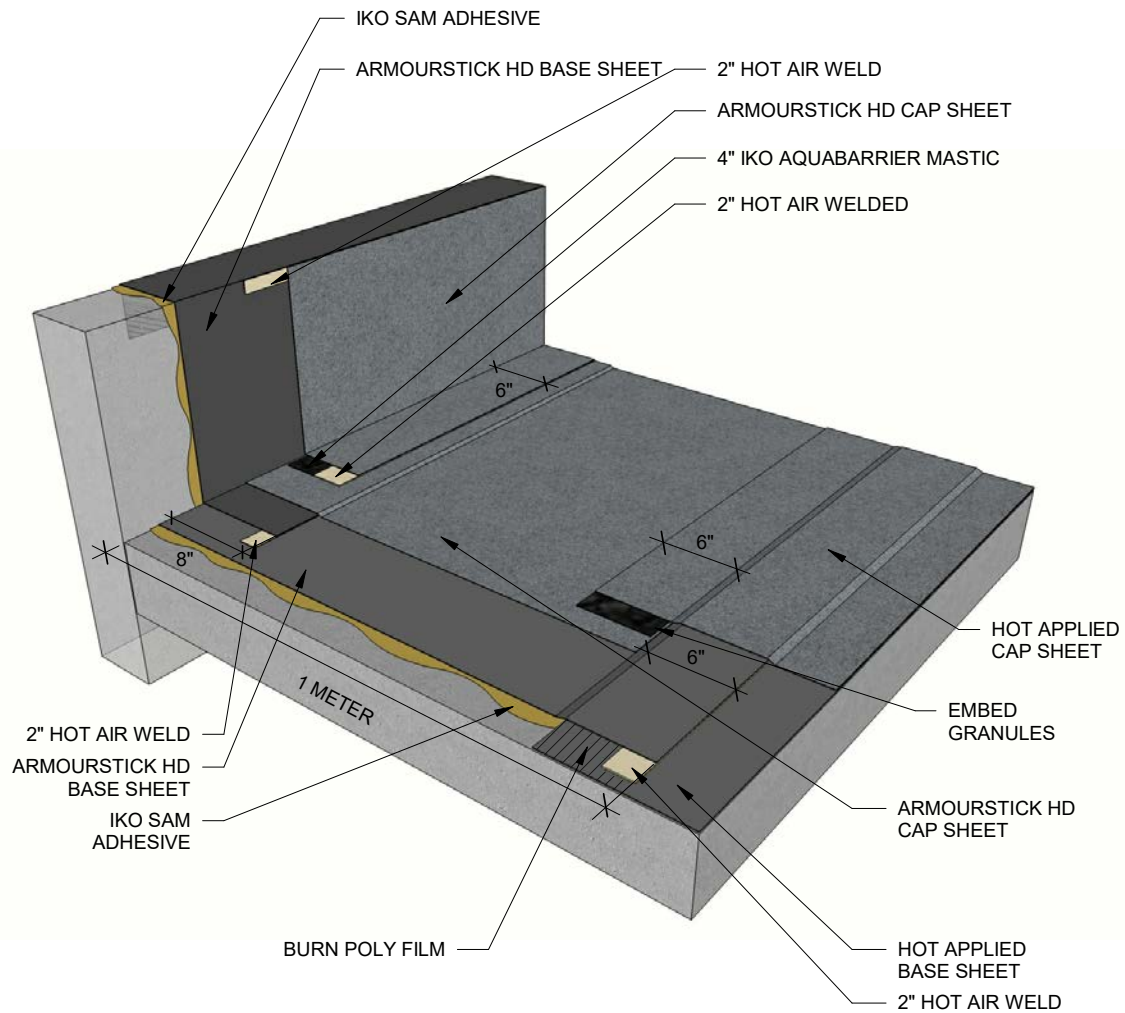
Modified Bitumen Flashing Detail – Protectobase at Parapet Detail



For approved mechanical fastener, contact
IKO Technical Services for more information



Modified Bitumen Flashing Detail – Perimeter Flame Free



Modified Bitumen Flashing Detail – Perimeter Flame Free – Low Temperature

