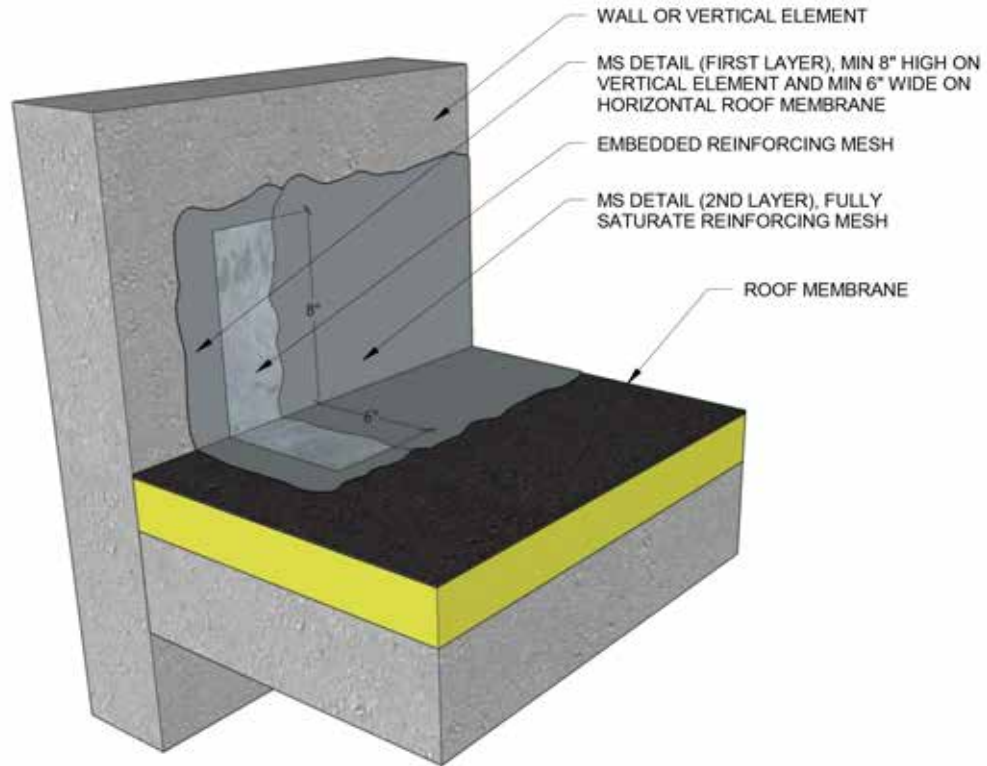


Table of Contents

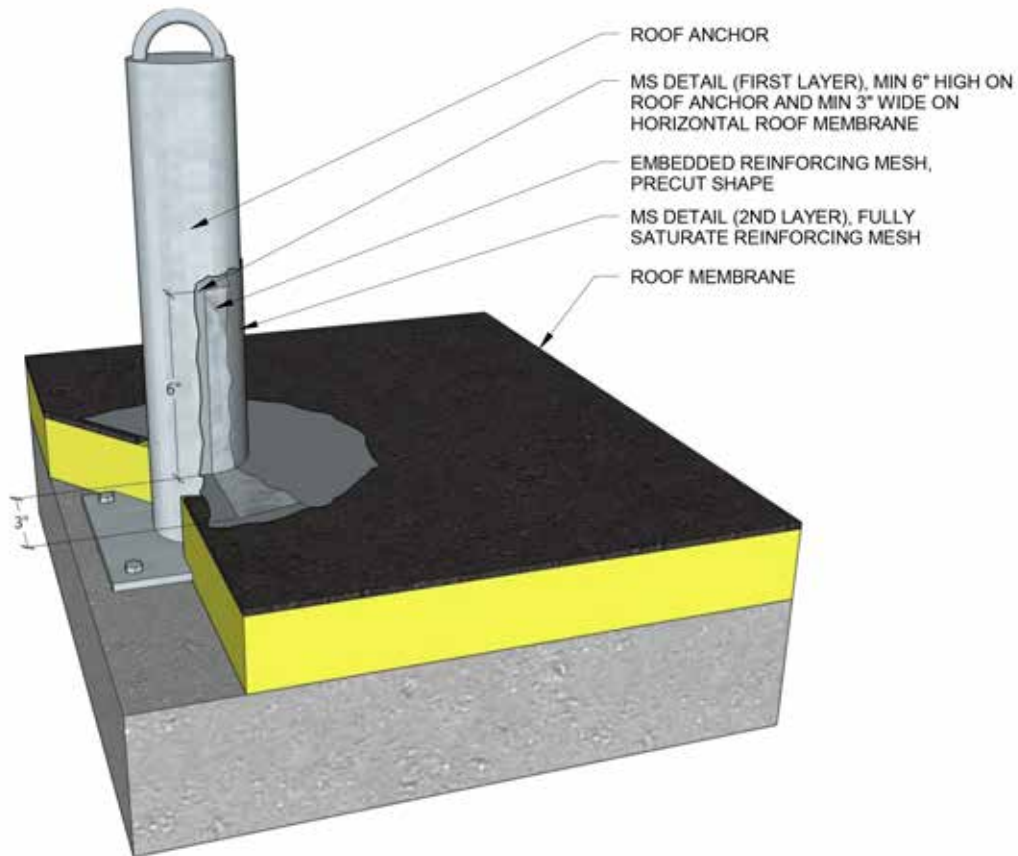
Title	Number
IKO MS Detail Roof Edge	MS-1
IKO MS Detail Roof Anchor Penetration	MS-2
IKO MS Detail H-Beam Penetration	MS-3
IKO MS Detail Wall Penetration	MS-4
IKO MS Detail Wall Opening Less Than 8" Above Roof Surface	MS-5
Metatech Detail Roof Edge	MT-1
Metatech Detail Roof Edge - Two Pieces	MT-1A
Metatech Detail Roof Edge - Three Pieces	MT-1B
Metatech Detail Pipe Penetration	MT-2
Metatech Detail Drip Edge	MT-3
Metatech Detail Drain	MT-4
Metatech Detail Drain - Spliced Corners	MT-4A
Metatech Detail Parapet	MT-5
Metatech Detail HVAC Penetration	MT-6
Metatech Detail Expansion Joint	MT-7

IKO MS Detail™ Roof Edge

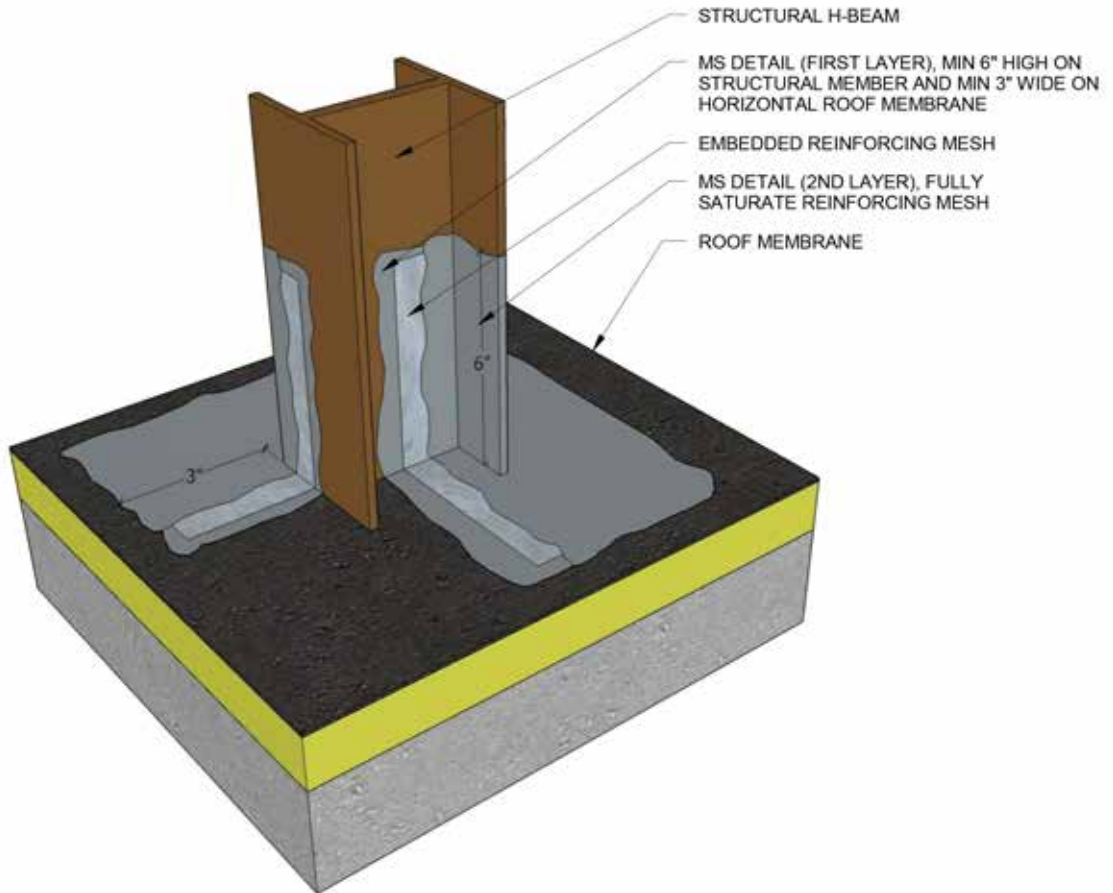




IKO MS Detail™ Roof Anchor Penetration

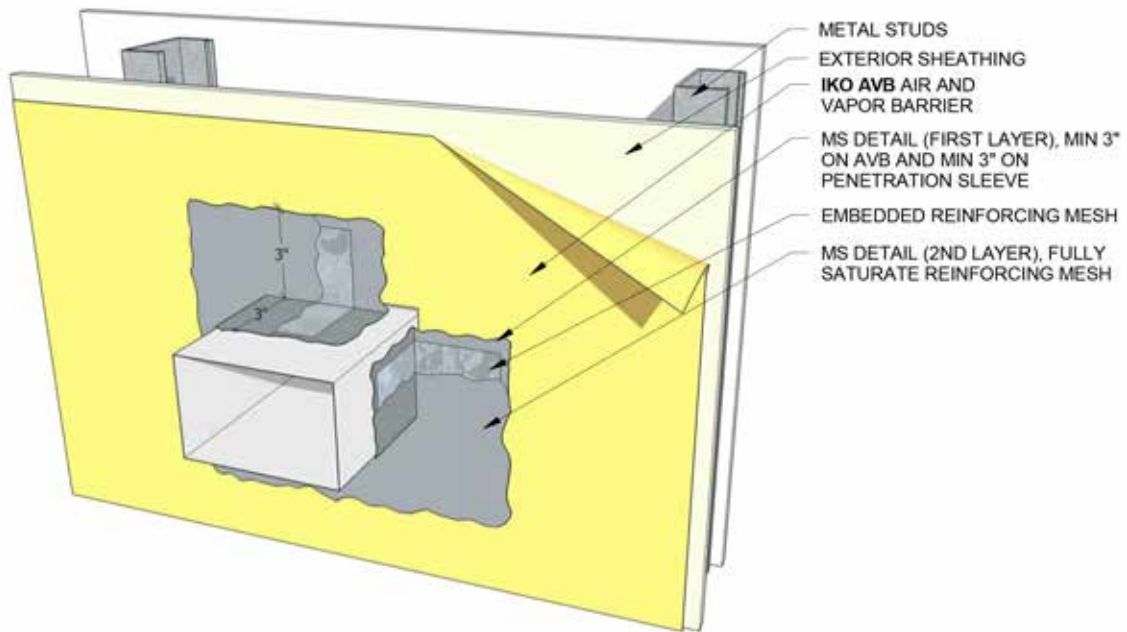


IKO MS Detail™ H-Beam Penetration

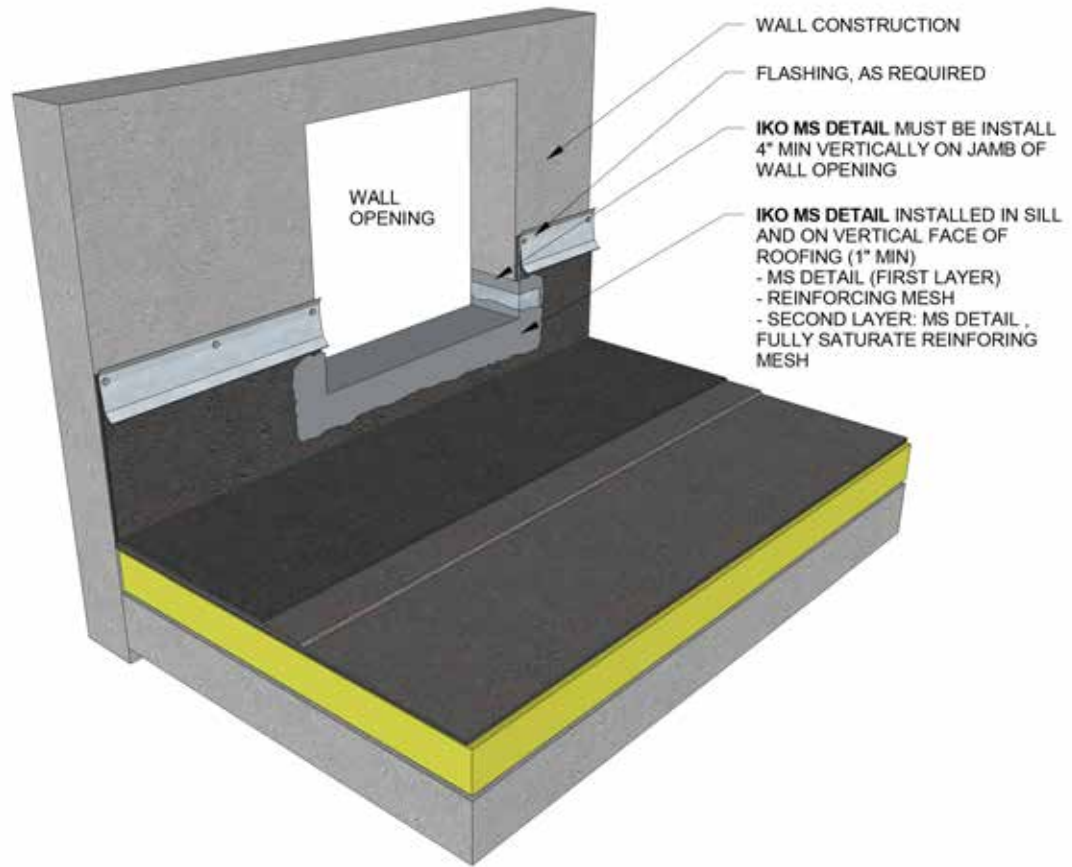




IKO MS Detail™ Wall Penetration

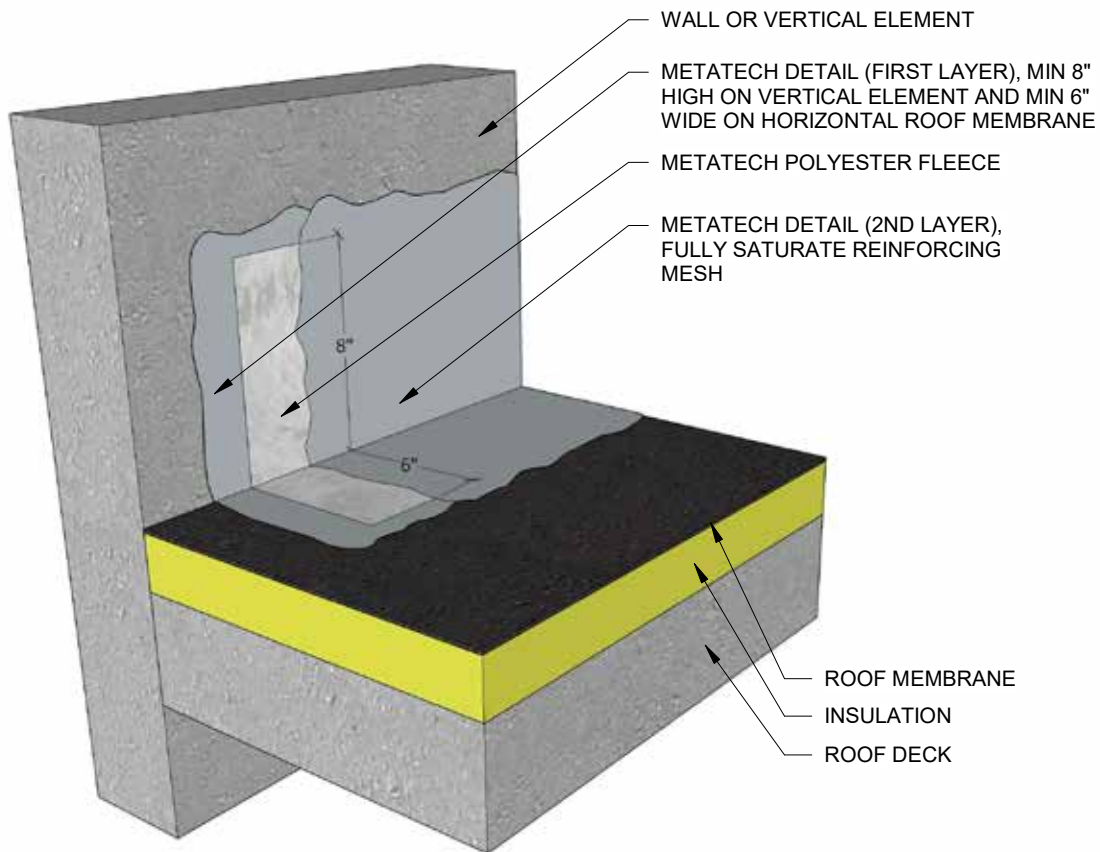


**IKO MS Detail™ Wall Opening Less Than 8" Above
Roof Surface**





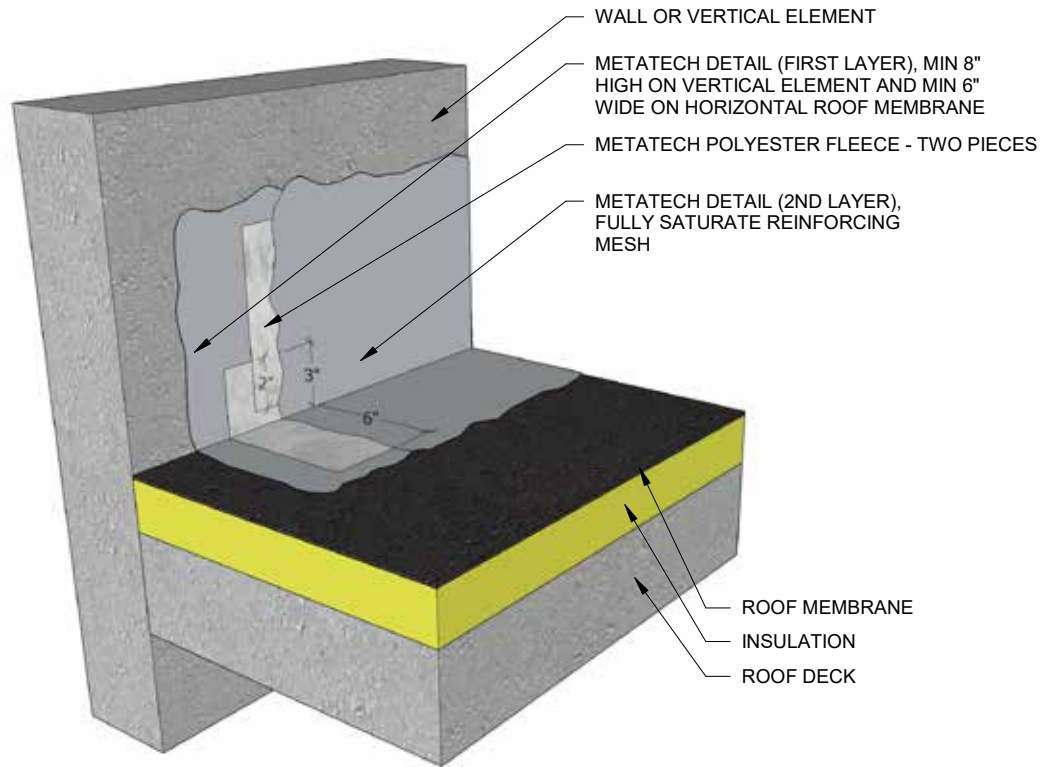
Metatech Detail Roof Edge



NOTES:

1. Proper surface preparation with applicable primers.
2. Please note that roof assembly is not comprehensive and is for demonstration purposes only.

Metatech Detail Roof Edge - Two Pieces

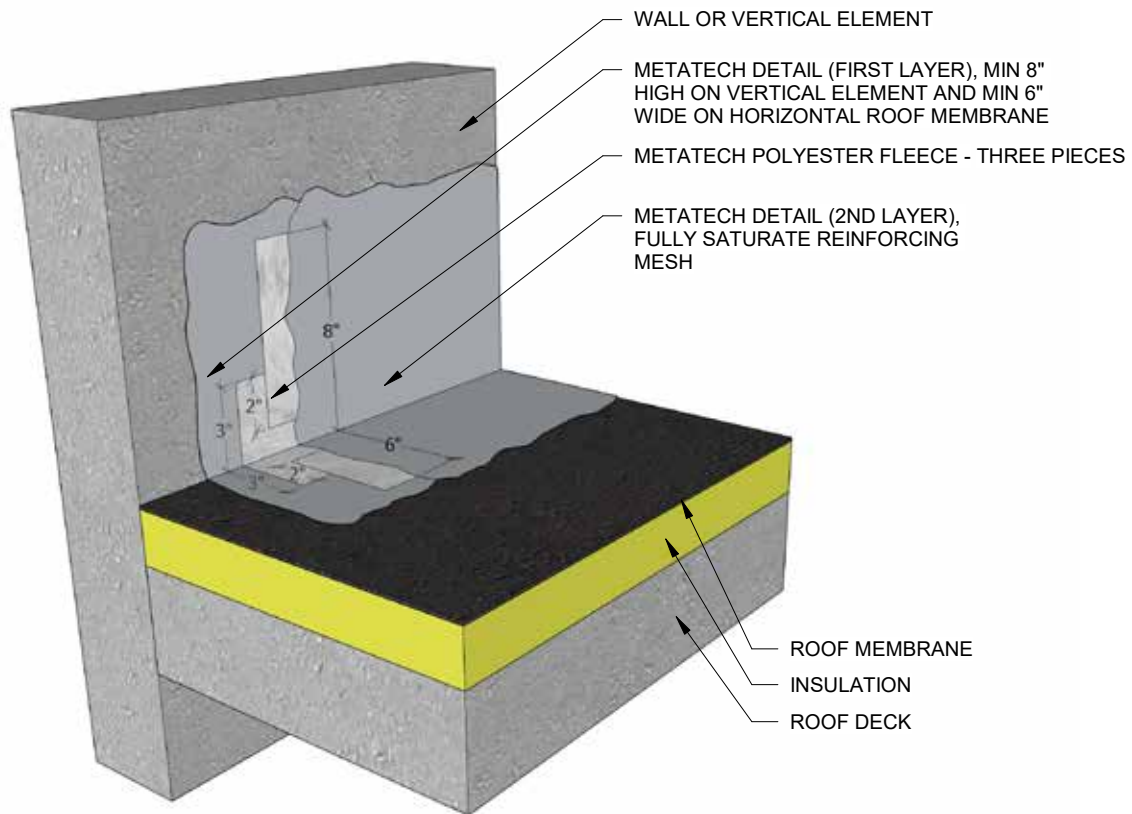


NOTES:

1. Proper surface preparation with applicable primers.
2. Please note that roof assembly is not comprehensive and is for demonstration purposes only.



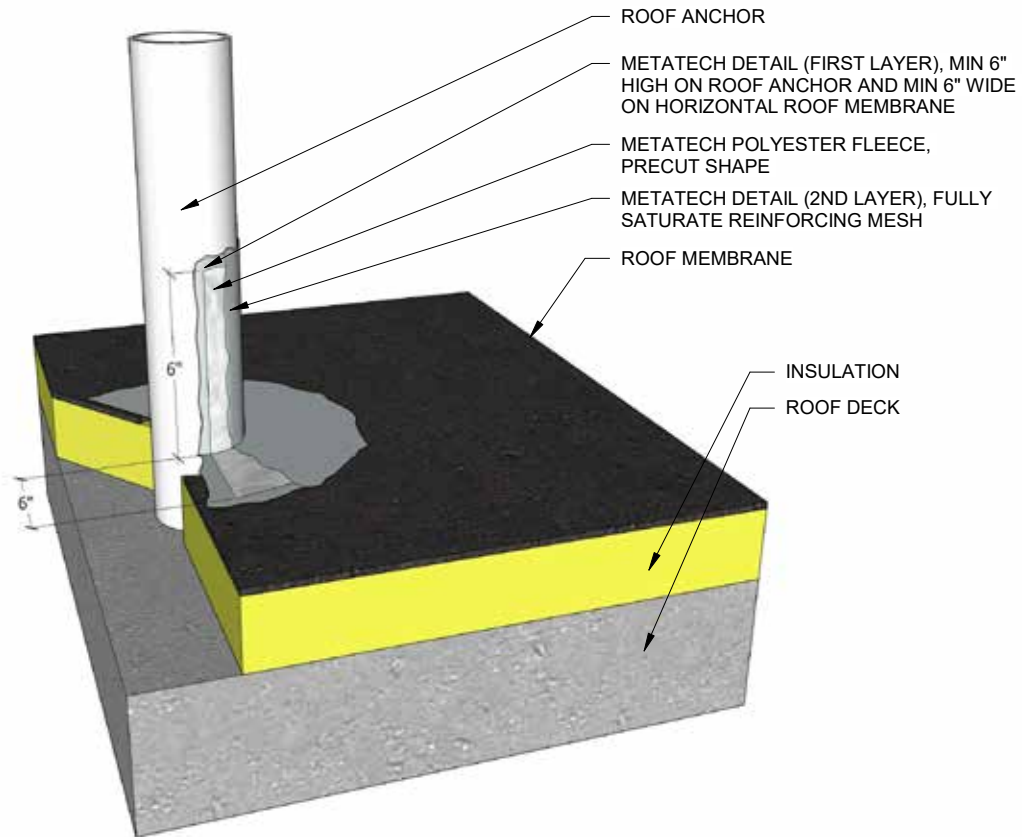
Metatech Detail Roof Edge - Three Pieces



NOTES:

1. Proper surface preparation with applicable primers.
2. Please note that roof assembly is not comprehensive and is for demonstration purposes only.

Metatech Detail Pipe Penetration

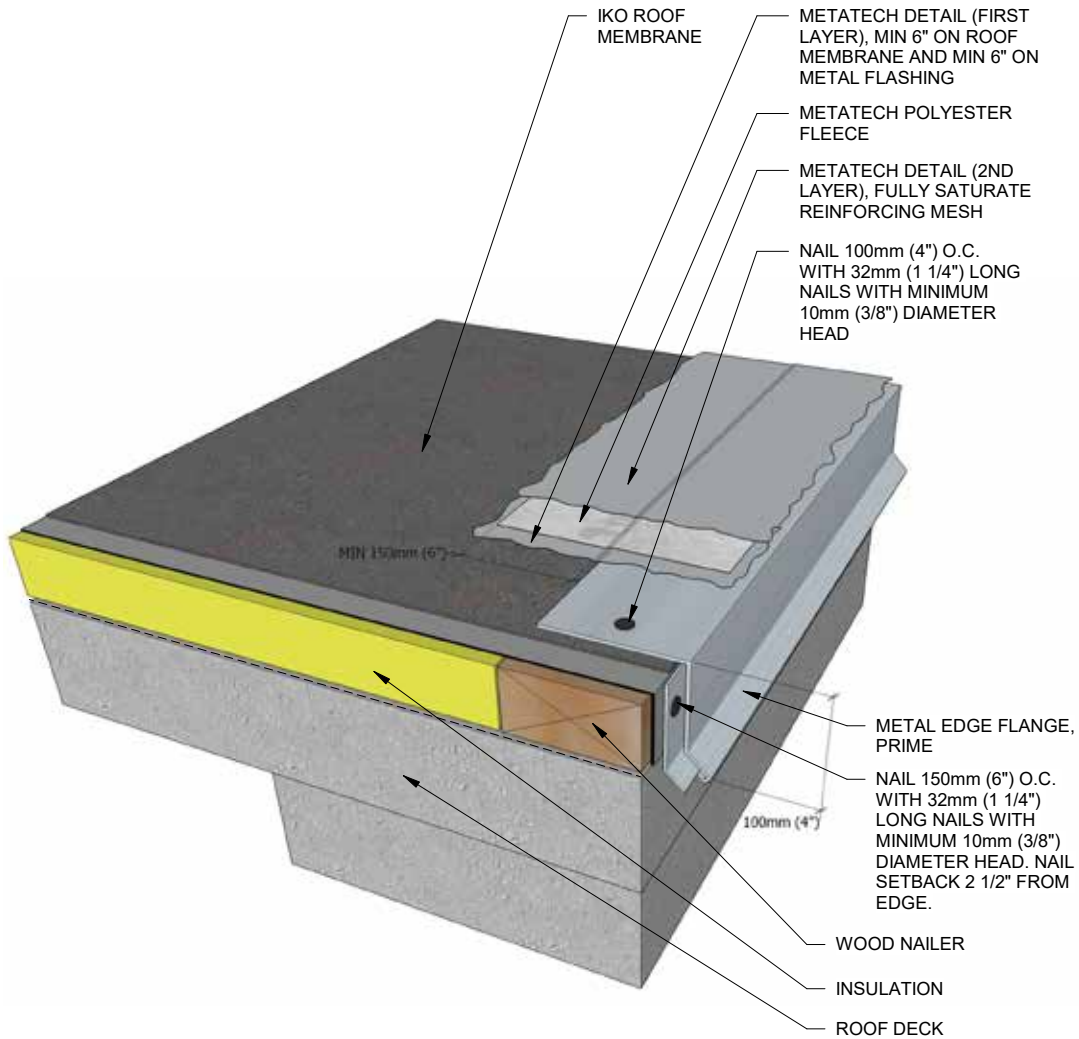


NOTES:

1. Proper surface preparation with applicable primers.
2. Please note that roof assembly is not comprehensive and is for demonstration purposes only.



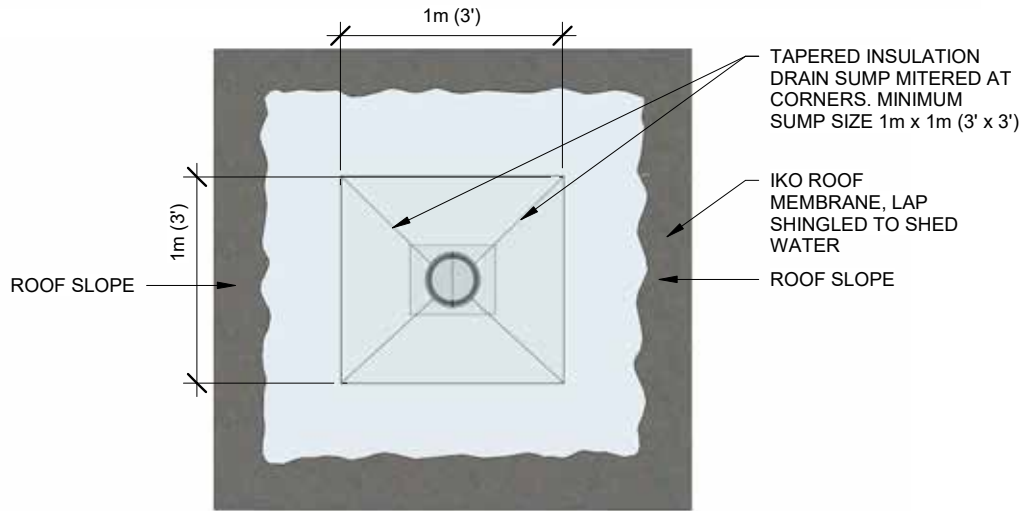
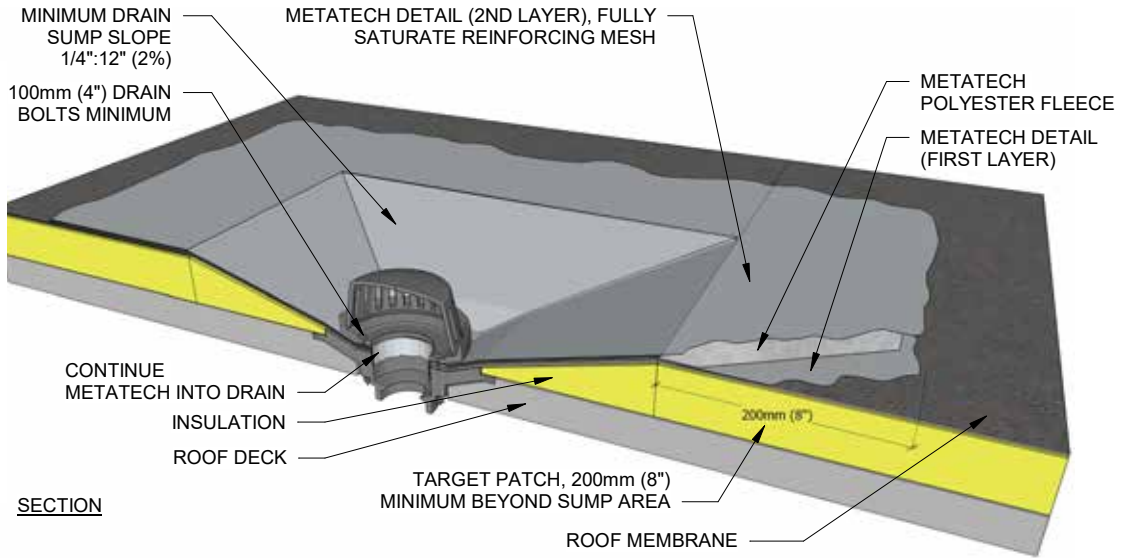
Metatech Detail Drip Edge



NOTES:

1. Proper surface preparation with applicable primers.
2. Please note that roof assembly is not comprehensive and is for demonstration purposes only.

Metatech Detail Drain

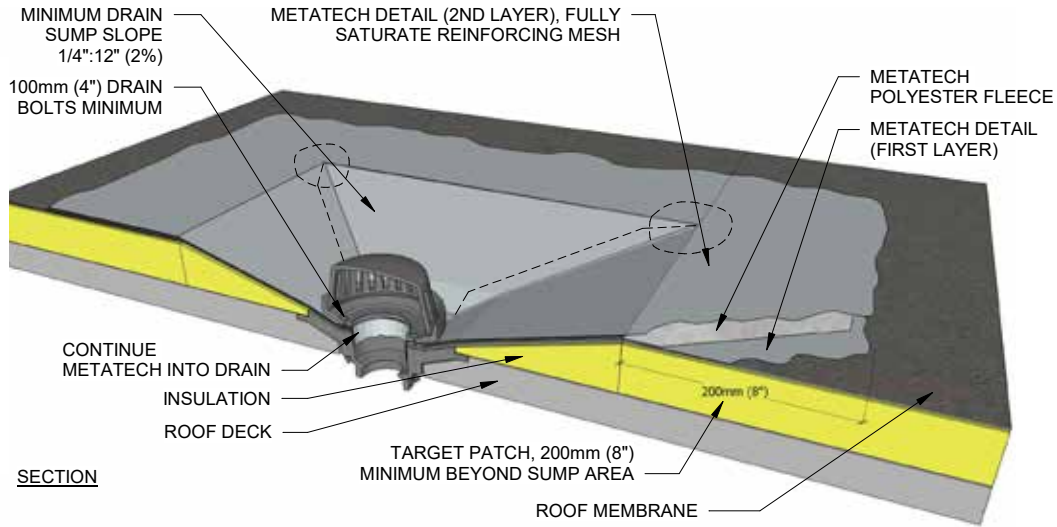


NOTES:

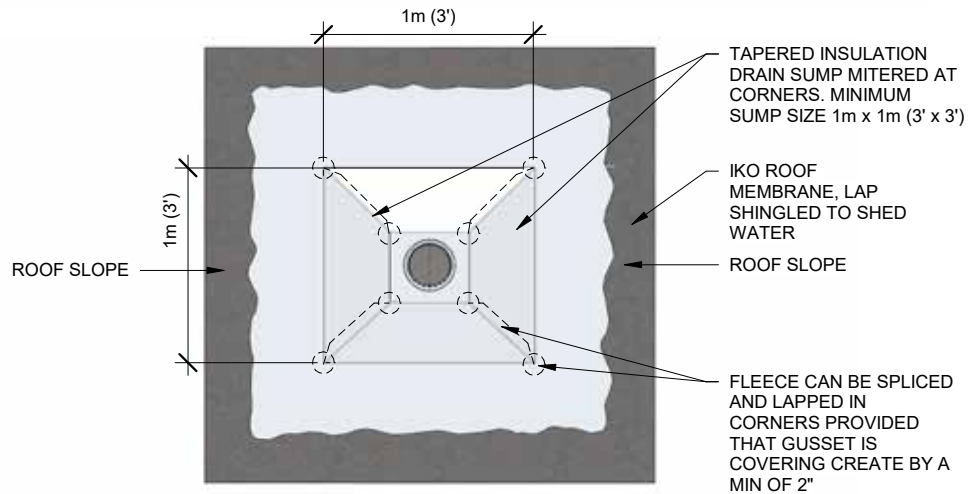
1. Proper surface preparation with applicable primers.
2. Please note that roof assembly is not comprehensive and is for demonstration purposes only.
3. For approval on variations based on structural limitations, consult with your IKO technical representative.



Metatech Detail Drain - Spliced Corners



SECTION

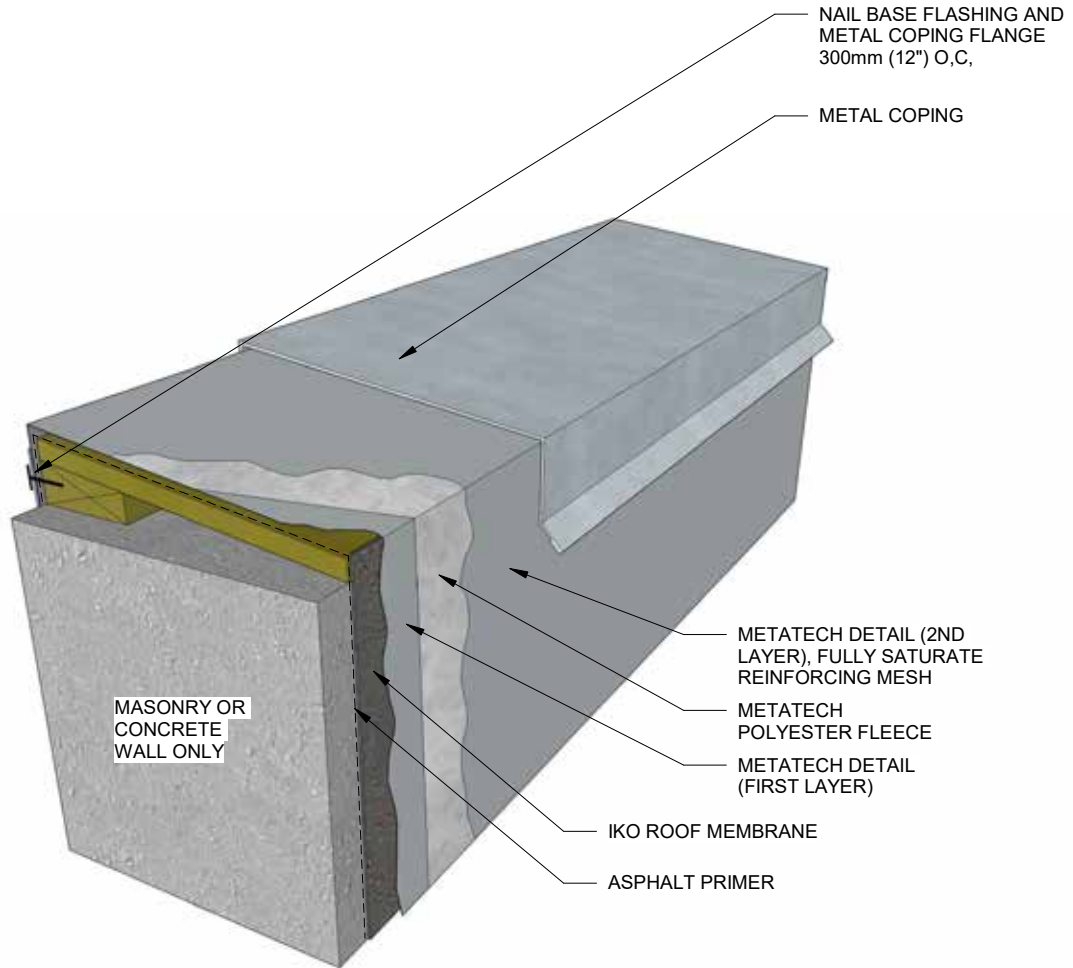


PLAN

NOTES:

1. Proper surface preparation with applicable primers.
2. Please note that roof assembly is not comprehensive and is for demonstration purposes only.
3. For approval on variations based on structural limitations, consult with your IKO technical representative.

Metatech Detail Parapet

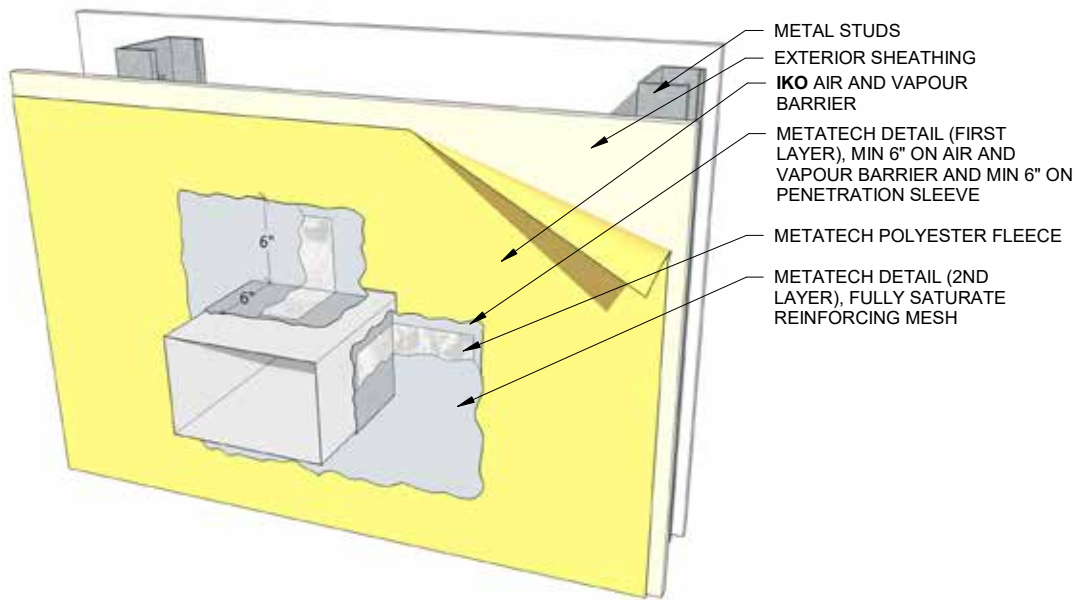


NOTES:

1. Proper surface preparation with applicable primers.
2. Please note that roof assembly is not comprehensive and is for demonstration purposes only.



Metatech Detail HVAC Penetration



NOTES:

1. Proper surface preparation with applicable primers.
2. Please note that roof assembly is not comprehensive and is for demonstration purposes only.

Metatech Detail Expansion Joint

