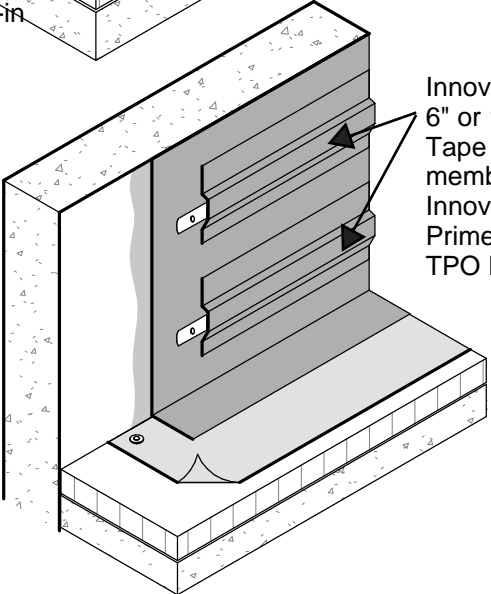


**MAX. 48" between securement rows.**

Apply InnoviSeal TPO Edge Sealant at all cut or exposed membrane edges

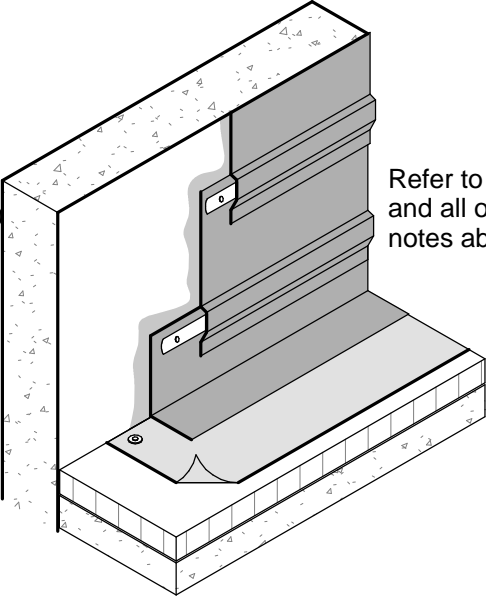
1. Intermediate attachment is **REQUIRED** for all vertical flashings in excess of 48" (1.2 m) but less than 8' (2.4 m).
2. Any of the three details shown are acceptable for warranties up to 30 years.

Refer to spacing and all other notes above



InnoviFlash TPO 6" or 10" Cover Tape (prime membrane using InnoviPrime TPO Primer LVOC or TPO Primer)

Refer to spacing and all other notes above



**INTERMEDIATE ATTACHMENT - STRUCTURAL WALL**

**CB-1**