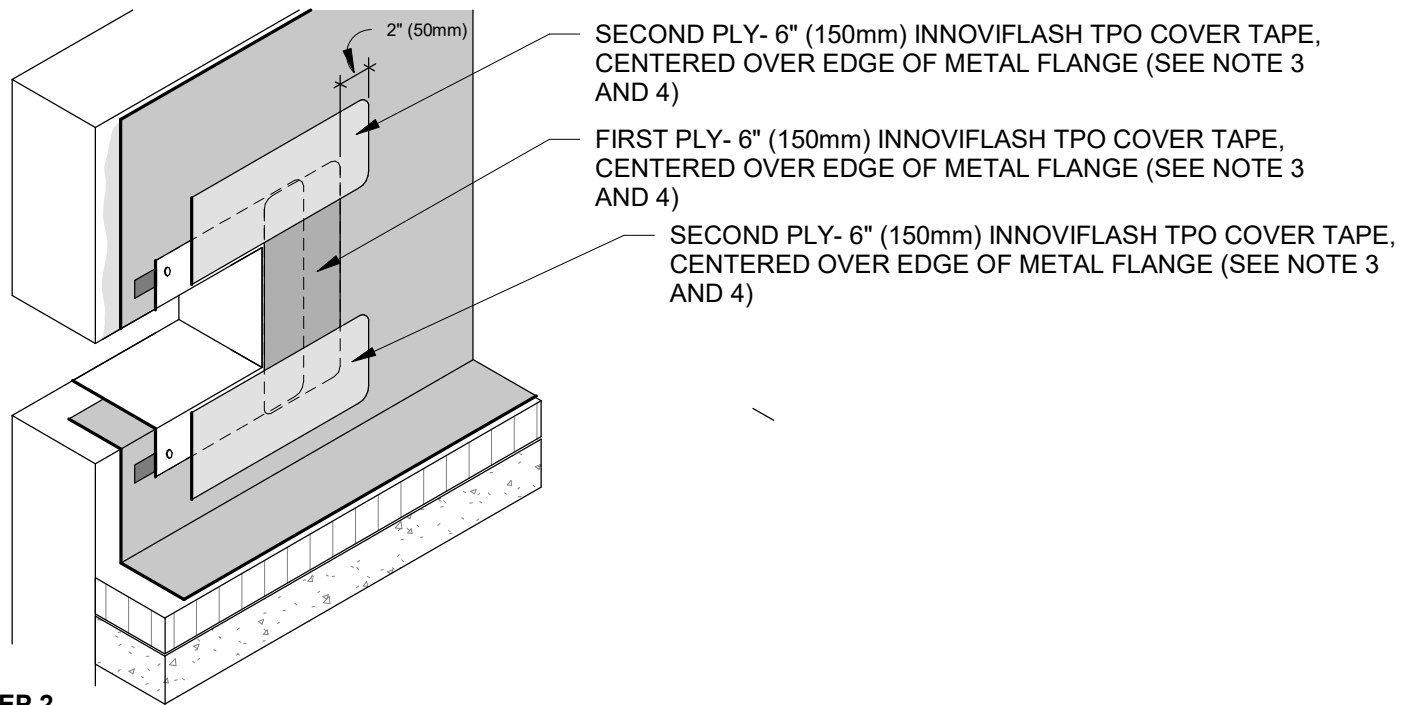


STEP 1

NOTES:

1. REFER TO IKO.COM/COMM FOR THE MOST UP TO DATE INSTALLATION INFORMATION.
2. ANY CARPENTRY OR METAL WORK SHOULD BE DESIGNED AND CONSTRUCTED IN ACCORDANCE WITH LOCAL CODE REQUIREMENTS AND/OR PROJECT SPECIFICATIONS. THESE COMPONENTS SHOULD BE REVIEWED AND APPROVED BY A LICENSED DESIGN PROFESSIONAL. IKO ASSUMES NO RESPONSIBILITY FOR THE INSTALLATION OF THE ASSOCIATED COMPONENTS OR DAMAGE TO THE ROOF SYSTEM DUE TO FAULTY INSTALLATION.
3. STEP #1 – APPLY A CONTINUOUS BEAD OF IKO INNOVISEAL WATER STOP MASTIC BENEATH METAL, CENTERED UNDER FASTENERS. ROUND ALL CORNERS OF METAL SCUPPER AND SECURE SCUPPER FLANGE WITH APPROPRIATE FASTENERS.
4. STEP #2 – STRIP IN EXPOSED EDGES OF SCUPPER AS INDICATED WITH 6" IKO INNOVIFLASH COVER TAPE FLASHING STARTING WITH THE SIDES OF SCUPPER.
5. SCUPPER MUST BE A WELDED METAL SLEEVE ROUND ALL SHEET METAL FLANGE CORNERS.
6. REFER TO EXISTING ROOFING MANUFACTURERS' SPECIFICATIONS FOR SURFACE PREPARATION PROCEDURES.
7. IKO INNOVIPRIME TPO PRIMER MUST BE USED TO PREPARE THE MEMBRANE PRIOR TO APPLYING IKO INNOVIFLASH COVER PE.



STEP 2

Title: OVERFLOW THRU-WALL SCUPPER (WELDED SLEEVE) INSTALLATION STEPS 1 & 2

Detail Number: T-S-2A

Issue Date: 8/01/2025

Maximum Warranty Term: 20-Years

Not to Scale