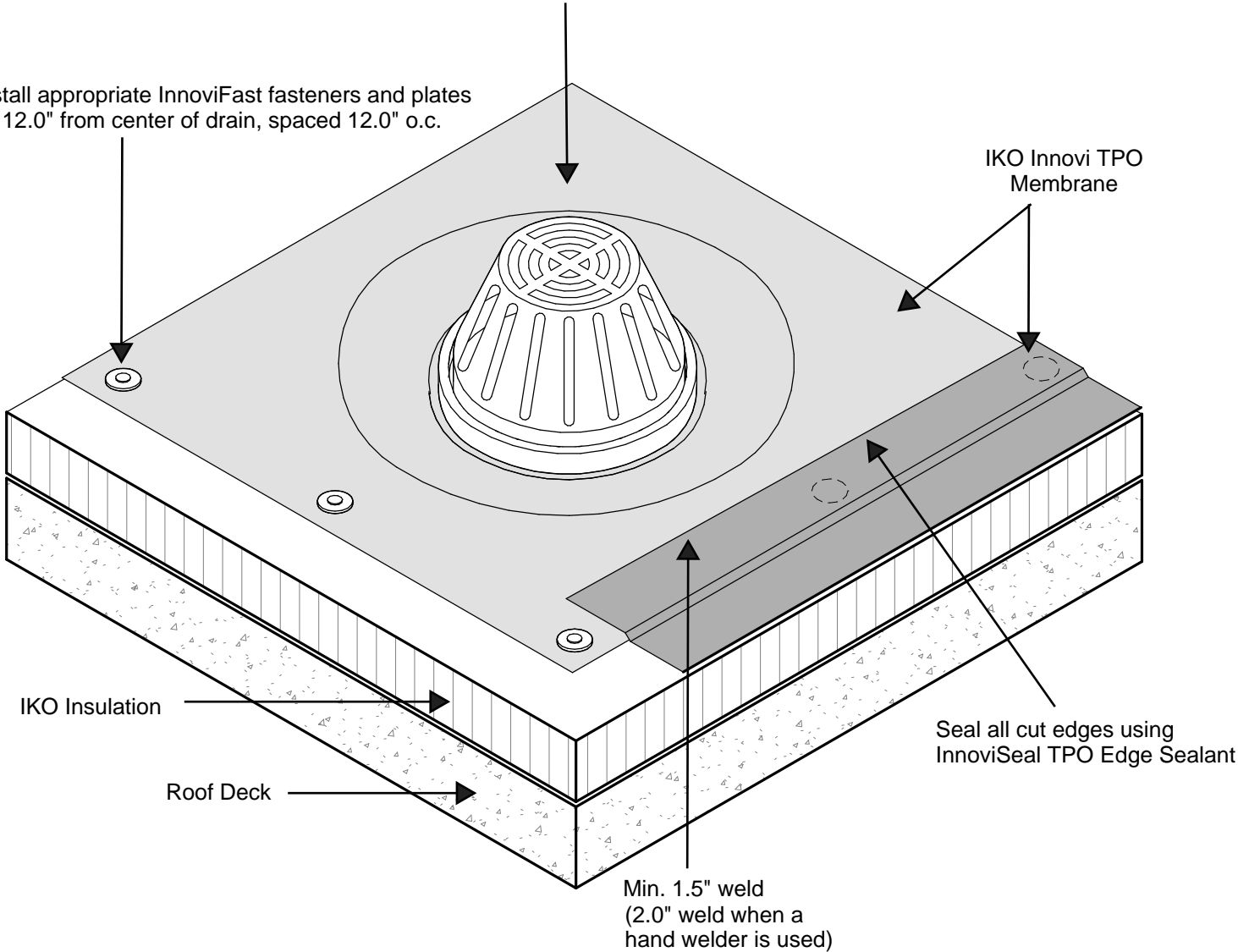


In addition to the direction given here,
follow all instructions and notes on
detail DN-1 to install the drain.

Install appropriate InnoviFast fasteners and plates
12.0" from center of drain, spaced 12.0" o.c.



NOTES:

1. Secure membrane 12" from drain at all four sides, fasteners spaced 12" o.c. and stripped with 8" strips of Innovi TPO membrane sealed on all sides with InnoviSeal TPO Edge Sealant.
2. Alternatively, install a 12" x 12" target patch of TPO Membrane centered on the drain and sealed on all sides with InnoviSeal TPO Edge Sealant, with fasteners spaced spaced 12" o.c.

MEMBRANE SECUREMENT AT DRAIN

DN-2