



Single-Ply Roof-Fast Cap Application Instructions

ENGLISH

IMPORTANT MESSAGE • PLEASE READ! Products must be applied properly. IKO assumes no responsibility for leaks or defects resulting from poor application or failure to properly prepare the surface to be roofed over, or failure to provide proper ventilation in accordance with minimum property standards requirements. Review all applicable building codes, minimum property standards, and requirements prior to applying these products. Use caution when stacking product on sloped roofs.

These instructions are for a single-ply application of Roof-Fast Cap. If installing a two-ply application, please see the Two-Ply Roof-Fast System Application Instructions. Always read the full instructions before beginning.

INSTALLATION TIP: When working on hot days and/or in bright sunlight, allow the product to cool in the shade for a few minutes before removing the release film.

GENERAL INFORMATION:

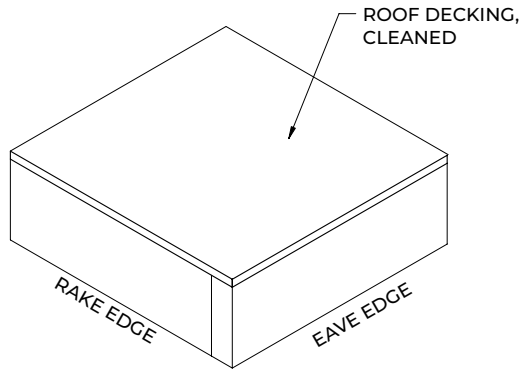
- Minimum roof slope for all single-ply applications is 1:12 up to and including 2:12. For slopes over 2:12 please contact IKO.
- Product should be stored upright at room temperature in a clean, dry, well-ventilated area that is protected from the elements. Rolls that are improperly stored, or are stored for a prolonged period of time, may result in improper bonding of the product upon installation. Do not attempt to install rolls that do not exhibit an adequate bond upon application.
- All substrates are plywood or oriented strand board, concrete, and metal. See substrate requirements below for details.
- Wood substrates must be clean and dry; substrates should also be dust-free plywood or oriented strand board (OSB). 1/2" (12 mm) plywood is recommended. Mill or plank decks should be covered with a layer of 1/4" (6 mm) sheathing. Decks must be well-secured with minimal deflection. Secure all nails and screws to prevent the possibility of backing out. Loose fasteners should be replaced and relocated if necessary.
- Wood substrates are recommended to be primed with IKO's S.A.M. Adhesive primer or S.A.M. Adhesive LVC primer before the application of the IKO Roof-Fast membrane.
- Concrete/metal must be primed with IKO's S.A.M. Adhesive primer or S.A.M. Adhesive LVC primer before the application of the IKO Roof-Fast membrane.
- Substrate must provide continuous, uninterrupted support to the membrane with no gaps within the substrate.
- Apply self-adhering membranes only when the weather is dry; air, roof deck, and membrane temperatures are 50°F (10°C) or above.
- Ensure that the installation of IKO Roof-Fast membranes does not prevent or interfere with the ventilation of the existing construction. IKO Roof-Fast membranes have the properties of a vapor barrier, and if applied over attic spaces, it is necessary to ensure adequate and thorough ventilation to prevent condensation.
- After cutting any lengths of IKO Roof-Fast membrane, allow the product time to relax prior to installation.

TOOLS AND ACCESSORIES

FOR INSTALLATION:

Roofing Nails · T-Square · Chalk Line · Hand Steel/Silicone Roller · 60-100 lb. (27-45 kg) Steel/Silicone Roller · Roofer's Cutting Tool/ Hook Blade · Roofing Trowel · Optionally, IKO S.A.M. Adhesive primer or IKO S.A.M. Adhesive LVC primer* · IKO AquaBarrier Mastic · IKO EdgeSeal · High-Grade Exterior Caulk

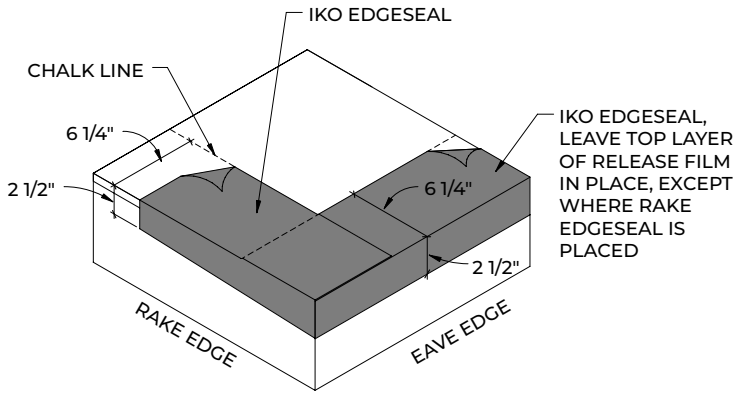
**Allow to dry per manufacturer installation instructions but no less than 30 minutes.*

**SUBSTRATE PREP**

STEP 1: Deck Preparation

The roof deck must be clean, smooth, dry and free of sharp protrusions.

- For re-roofing, remove existing roofing material down to a satisfactory deck or acceptable, smooth primed surface. Plywood or OSB wood panel decking is to be exterior grade, conforming to building code requirements. 1/2" (12 mm) plywood is recommended. Mill or plank decks should be covered with a layer of 1/4" (6 mm) sheathing. Decks must be well-secured with minimal deflection. Secure all nails and screws to prevent the possibility of backing out. Loose fasteners should be replaced and relocated if necessary.
 - If the substrate surface is not flat, then voids may occur, which will result in installation difficulties. These installation difficulties could result in a roof that is not watertight.
- All plywood or OSB wood panel substrates are recommended to be primed with IKO's S.A.M. Adhesive or S.A.M. Adhesive LVC before the application of the IKO Roof-Fast membrane.
- All substrates where Roof-Fast will be applied including concrete/metal must be primed with IKO's S.A.M. Adhesive or S.A.M. Adhesive LVC before the application of the IKO Roof-Fast membrane.
- Ensure all primed surfaces are completely dry before installation of Roof-Fast. (Allow to dry per manufacturer installation instructions but no less than 30 minutes.)
- Do not apply Roof-Fast to shingles. For steep slope tie-in see instructions within.

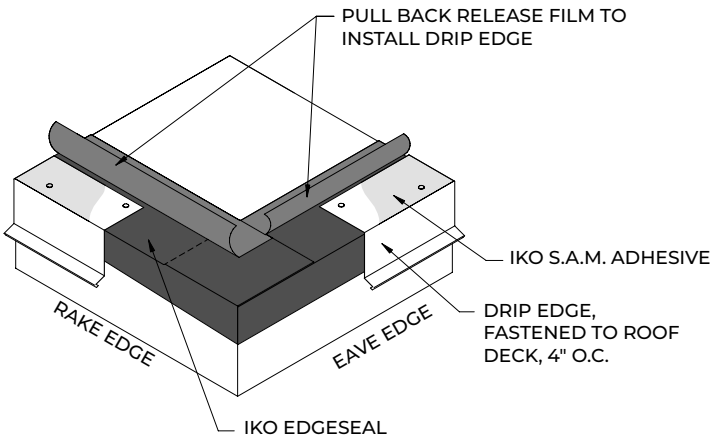


EDGESEAL INSTALLATION

STEP 2: Eave and Rake Edges Preparation

NOTE: Always start installation at the lowest point of the roof.

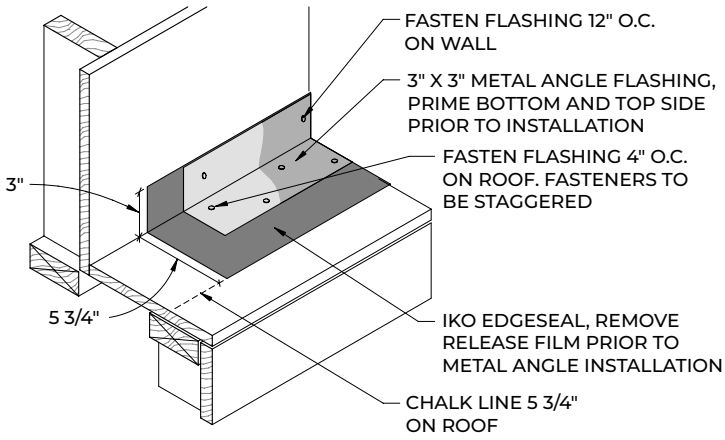
- Cut an appropriate length of IKO EdgeSeal starter strip for the eave ensuring enough material to cover the rake edges with 2 1/2" (64 mm) of material.
- Using the chalk line as a guide position the IKO EdgeSeal starter strip at the eave allowing for approximately 2 1/2" (64 mm) to overlap the fascia. If satisfied with the dry fit, remove the release film from the underside of the starter strip and carefully apply it to the roof deck.
 - *The starter strip assumes that the horizontal drip edge metal flange will be 3" (76 mm) wide, and the vertical face of the edge metal will be a 2 1/2" (64 mm) length with a minimum 1/2" (13 mm) 30-degree bevel at the lowest edge to divert water away from the building.*
 - *Leave the release film in place on the top side of the IKO EdgeSeal starter strip.*
- Repeat STEP 2 for the rake edges. When intersecting with the starter strip applied at the eave, peel back just enough of the release film on the eave and apply the rake edge starter over the eave starter. See EdgeSeal Installation diagram.



DRIP EDGE INSTALLATION

STEP 3: Drip Metal

- Prime the underside and top side of the drip metal and allow it to dry as per the manufacturer's instructions, no less than 30 minutes.
- Fold back just enough release film, on the IKO EdgeSeal starter strip, where the drip edge metal is being applied at the eave. Install the eave drip edge over the IKO EdgeSeal starter strip section where the release film was removed, and fasten 4" (102 mm) on-center staggered within 1" (25 mm) of the eave with roofing nails. Face fastening the drip metal is not recommended.
- Repeat STEP 3 for the rake edges ensuring special attention to the intersection with the eave drip edge metal.



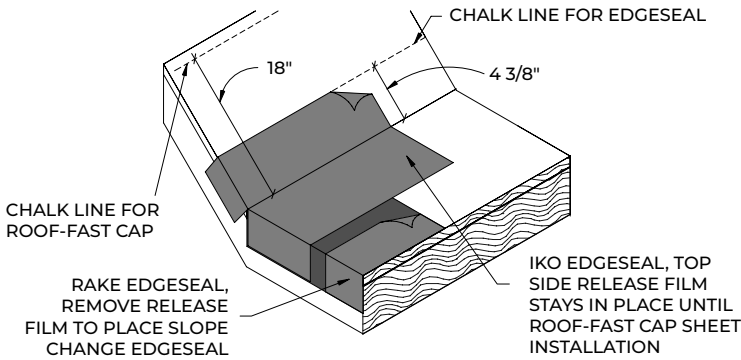
RAKE / WALL CONNECTION DETAIL

STEP 4a: Application - Intersection of Rake-Edge Side Wall

NOTE: If your roof has no rake-edge side walls move to STEP 5. For existing construction, carefully remove the siding in the rake area(s). For new construction, complete the Roof-Fast application prior to application of siding these areas.

- Cut an appropriate length of IKO EdgeSeal starter strip.
 - *The starter strip assumes that the angle flashing will be 3" (76 mm) wide on either side of the 90-degree break in the metal.*
- Measure back 5 3/4" (146 mm) from the wall at the rake-edge side wall and snap a chalk line on the slope area.
- Remove the release film from one side of the IKO EdgeSeal and using the chalk line as a guide, position the starter strip so that there is approximately 5 3/4" (146 mm) on the roof slope surface and 3" (76 mm) up the rake wall surface.
 - *Leave the release film in place on the top side of the IKO EdgeSeal starter strip.*
- Prime the underside and top side of the angle flashing and allow to dry as per the manufacturer's instructions, no less than 30 minutes.
- Remove the release film from the starter strip, install the angle flashing over the starter strip and fasten 4" (102 mm) on-center staggered on the roof slope surface and 12" (305 mm) on-center on the rake wall surface.
 - *Overlap successive sections of angle flashing with a minimum of 6" (152 mm).*

NOTE: Do not replace siding at this point as high-grade exterior caulking will need to be applied at intersections where Roof-Fast overlaps with the angle flashing.



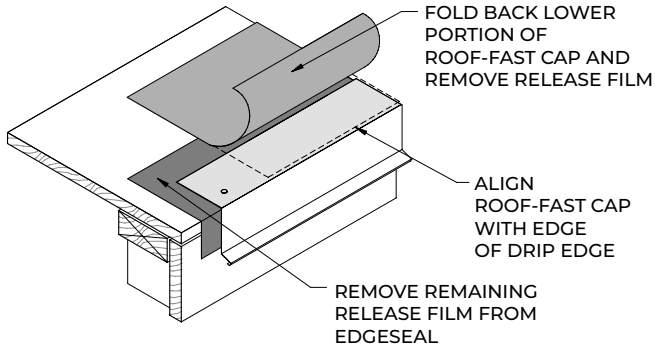
STEEP SLOPE CONNECTION DETAIL

STEP 4b: Application – Residential Slope Tie-In

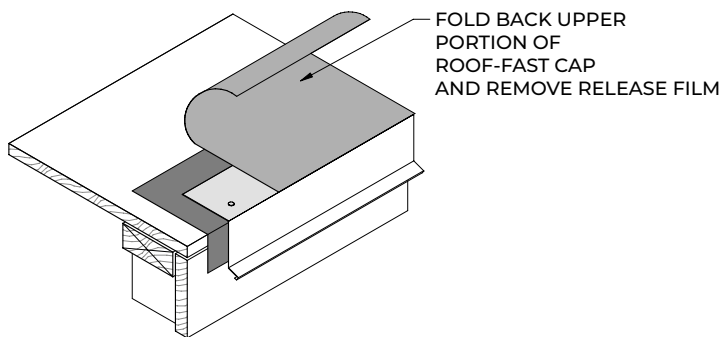
NOTE: If your roof has no residential steep slope tie-in move to STEP 5.

- Measure up the steep slope, the area to be shingled, and chalk a line at minimum 18" (457 mm) up the slope. This will be required as a minimum distance up the steep slope for the application of IKO Roof-Fast Cap.
- Chalk a second line at approximately 4 3/8" (111 mm) up the slope. This will be a guide for the IKO EdgeSeal to be applied.
- Cut an appropriate length of IKO EdgeSeal ensuring to wrap the rake edge fascia 2 1/2" (64 mm).
- Using the lowest chalk line as a guide install the IKO EdgeSeal. Crease the material well at the transition from the steep slope to the low slope. Do not remove the top layer of release film until that layer of IKO Roof-Fast Cap is ready to be applied.

NOTE: Shingle application should start 2" (50mm) up the steep slope area on IKO Roof-Fast Cap.



ROOF-FAST CAP INSTALLATION



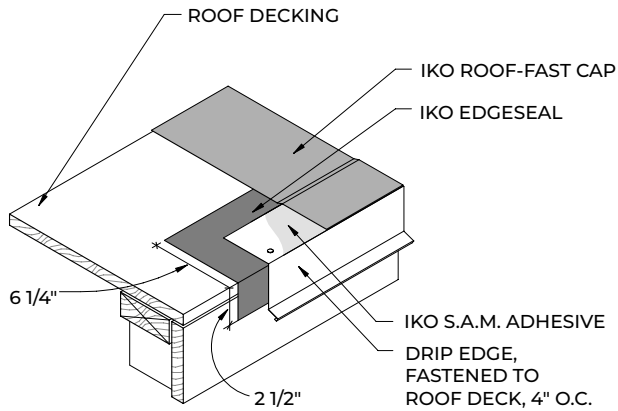
ROOF-FAST CAP INSTALLATION

STEP 5: Roof-Fast Cap Application

- Unroll and cut the Roof-Fast Cap to the appropriate length allowing for extra material for rake and slope-side detail, and trim to the exact length during application. Allow the product to relax.
 - *In hot weather, it may be best to limit the length of individual pieces of Roof-Fast Cap to 12' (3.66 m) for ease of handling.*
- Position and align the length of Roof-Fast Cap, granule side up, flush with the drip edge metal at the lowest part of the roof. Ensure the film-covered selvage edge is opposite the drip edge metal.
- While kneeling on the upper half of the positioned cap sheet, fold back the lower half of the width towards you to expose the release film.
- Remove the release film from the starter strip at the eave and rake edges, then remove the release film from the Roof-Fast Cap and slowly “walk” the sheet into place over the starter strip.
 - *Only remove enough of the rake edge starter strip release film as necessary for the width of the sheet you are working with for each course.*

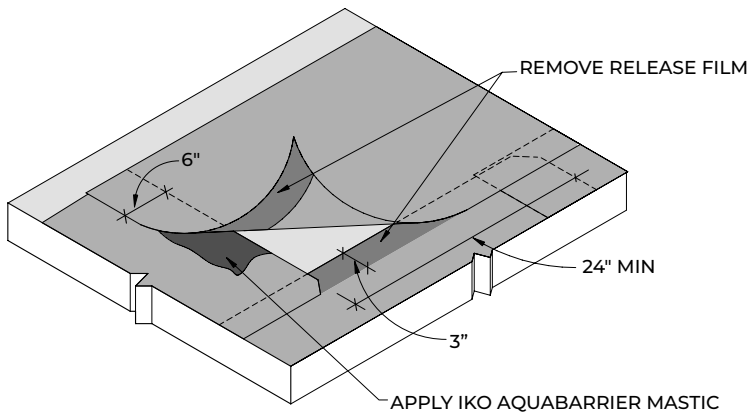
NOTE: If there is a residential steep-slope tie-in, ensure the Roof-Fast cap extends up the slope a minimum of 18" (457 mm) and is applied to a primed surface.

- While kneeling on the lower half of the cap sheet, fold back the upper half of the width towards you to expose the remaining release film. Remove the release film and slowly “walk” the upper half sheet into place.



SINGLE-PLY ROOF-FAST APPLICATION - COMBINED

- Use a 60-100 lb. (27-45 kg) steel roller, or hand roller, to ensure consistent contact of Roof-Fast Cap to the starter strip and roof deck areas.
- Trim the Roof-Fast Cap at rake edges to be flush with drip edge metal and rake-edge side walls to be flush with the inside corner of angle flashing.
- For installation of successive courses, again unroll and cut the Roof-Fast Cap to the appropriate length, position and align the length of Roof-Fast Cap, granule side up, ensuring complete coverage of the 3" (76 mm) selvage edge.
- While kneeling on the upper half of the positioned cap sheet, fold back the lower half of the width towards you to expose the release film.
- Remove the release film from the selvage edge, then remove the release film from the Roof-Fast Cap and slowly "walk" the sheet into place over the selvage edge.
 - *It's best to remove an equal length of release film from the selvage edge as the length of the Roof-Fast Cap that you are working with.*
- Repeat STEP 5 until the roof is complete.



END LAP DETAIL

End Lap Joints

NOTE: There must be a minimum 24" (609 mm) from any other end laps or joints within the roof system. If an end lap (vertical lap) joint must be made, a 2" (50 mm) 45-degree cut must be made at the top corner of the top sheet where the joint is made, and at the bottom corner of the underlying sheet where the joint is made.

- After applying the first section of the successive course cap sheet, unroll and cut the Roof-Fast Cap to the appropriate length ensuring a minimum 6" (152 mm) end lap.
- Position and align the length of Roof-Fast Cap, granule side up, ensuring complete coverage of the 3" (76 mm) selvage edge and the 6" (152 mm) end lap.
- Roll the end lap area towards you and apply a 6" (152 mm) wide x 1/8" (3 mm) thick band of IKO AquaBarrier Mastic, to the granule surface of the set granulated cap sheet.
- Remove the release film and roll the end lap over the mastic area.
- Use a hand roller to apply uniform even pressure paying special attention to the joint area and ensure a 1/4" (6 mm) bleed out of mastic is exposed.